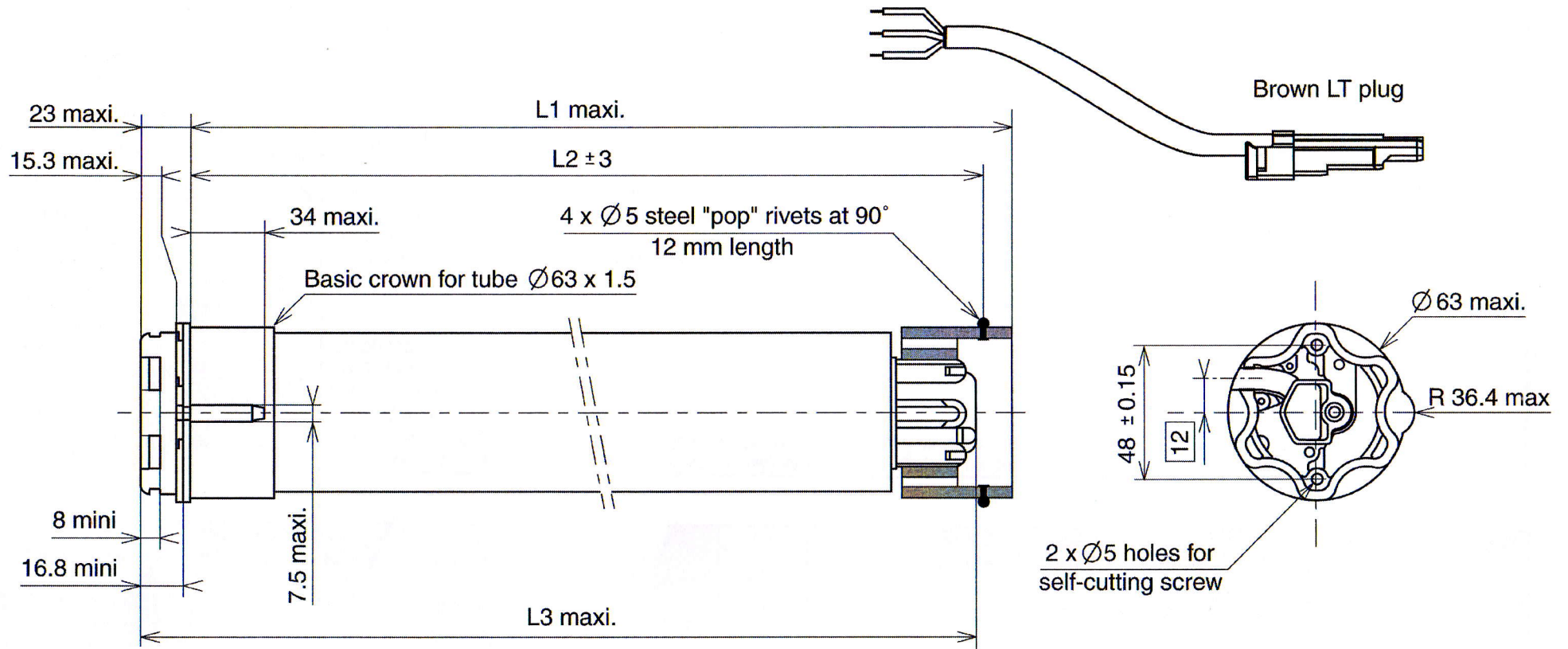


Type of head	Star head
Nominal voltage	230 V AC
Power supply tolerances	207 - 253 V AC
Frequency	50 Hz
Thermal time	4 minutes
Number of wires of the cable	3
Wire section	0.75 mm ²
Type of limit switch unit	Electronic
Capacity of the LSU	200 turns
Repeatability	< ± 3°
System of protection	IP 44
Interface drawing	Wheel interface LT60 206801-Crown interface LT60, LT60 ADF, FTS60 & LT60 CSI 206802-interface drawing star head LT60 206803
Radio frequency	433.42 MHz
Coding	Rolling code 16 million of possibilities
Capacity of memory	12 different transmitters plus 3 wireless sensors
Antenna	Integrated antenna
Range	20 m with 2 reinforced concrete walls to be passed through
R&TTE (Radio Equipment and Telecommunications Terminal Equipment Directive)	Dir 1999/5/CE
Safety Security	EN 60335 – 2 – 97
Electromagnetic compatibility	EN 301489 – 3
Radio	EN 300 – 220 – 3
Basic crown for tube Ø	63 x 1.5 mm
Temperature working range	Normal use : -10°C to +40°C Exceptional use (20% of the life time not simultaneous) : -20°C to + 70°C
Noise level	According to SOMFY measures (for information only).Worse value : in load up direction during 10 seconds.

Designation	Nominal torque (Nm)	Nominal speed (rpm)	Reference	L1 (mm)	L2 (mm)	L3 (mm)	Tube (mm)	Rated power (W)	Rated current (A)	Thermal tripping (°C)	Brake type	Weight (kg)	Noise (dBA)
ALTUS 60 RTS 55/17	55	17	5005453	734	717	740	670	290	1.25	130	sliding	4.18	64
ALTUS 60 RTS 70/17	70	17	5005454	734	717	740	670	350	1.5	130	sliding	4.50	66
ALTUS 60 RTS 85/17	85	17	5005455	734	717	740	670	400	1.8	140*	sliding	4.70	66
ALTUS 60 RTS 100/12	100	12	5005456	734	717	740	670	350	1.5	130	sliding	4.82	65
ALTUS 60 RTS 120/12	120	12	5005457	734	717	740	670	400	1.8	140*	sliding	5.03	65

* Non resetable thermal protector

WIRING	Neutral	Blue
	Live	Brown
	Earth	Green / Yellow



Visa : <i>Yannick Debones</i> <i>[Signature]</i> 12/03/2007	DT	Quality <i>O. TRINQUET</i> <i>[Signature]</i> 13/03/07	Marketing <i>[Signature]</i> <i>A. KEILCINGER</i>
--	----	---	---