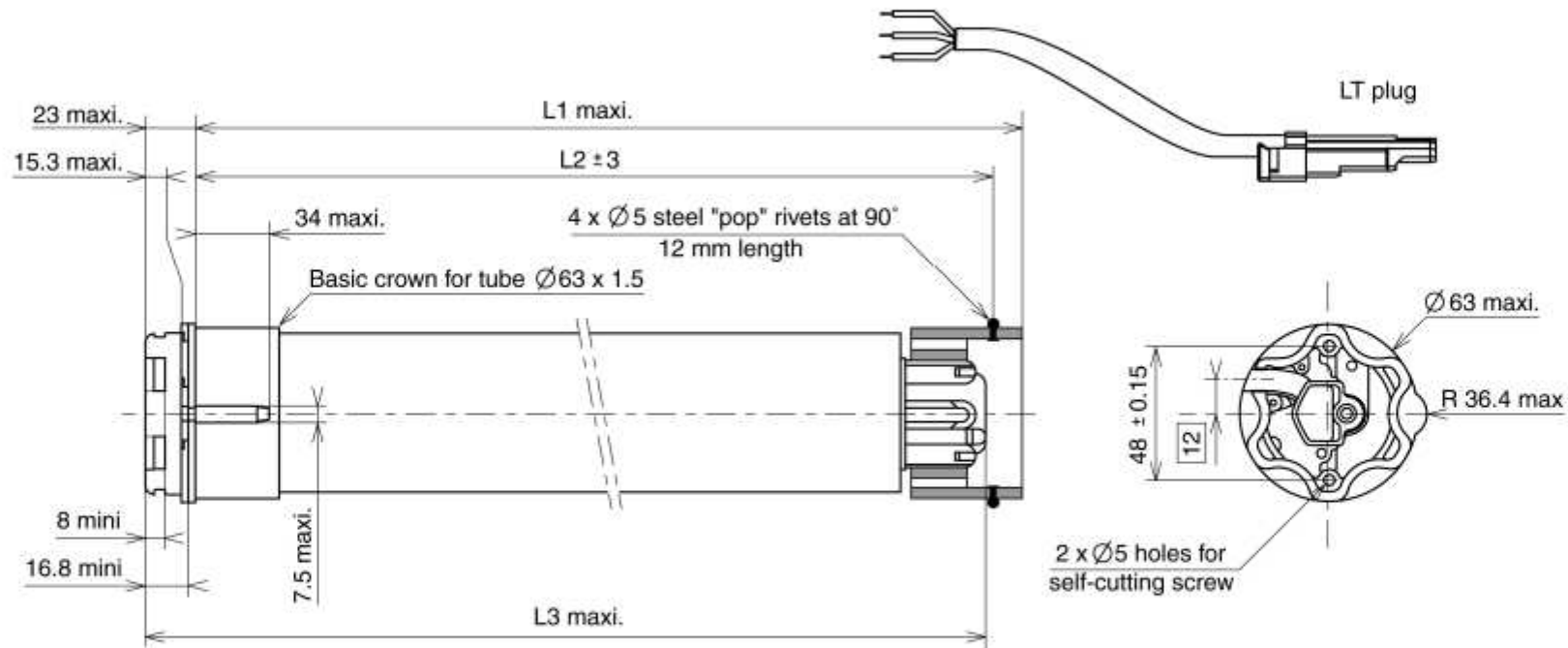


Type of head	Star head
Nominal voltage	230 V AC
Power supply tolerances	207 - 253 V AC
Frequency	50 Hz
Thermal time	4 minutes
Number of wires of the cable	3
Wire section	0.75 mm ²
Type of limit switch unit	Electronic
Capacity of the LSU	200 turns
Repeatability	< ± 3°
System of protection	IP 44
Interface drawing	Wheel interface LT60 206801-Crown interface LT60, LT60 ADF, FTS60 & LT60 CSI 206802-interface drawing star head LT60 206803
Radio frequency	433.42 MHz
Coding	Rolling code 16 million of possibilities
Capacity of memory	12 different transmitters plus 3 wireless sensors
Antenna	Integrated antenna
Range	20 m with 2 reinforced concrete walls to be passed through
R&TTE (Radio Equipment and Telecommunications Terminal Equipment Directive)	Dir 1999/5/CE
Safety Security	EN 60335 – 2 – 97
Electromagnetic compatibility	EN 301489 – 3
Radio	EN 300 – 220 – 3
Basic crown for tube Ø	63 x 1.5 mm
Temperature working range	Normal use : -10°C to +40°C Exceptional use (20% of the life time not simultaneous) : -20°C to + 70°C
Noise level	According to SOMFY measures (for information only).Worse value : in load up direction during 10 seconds.

	Nm	rpm		mm	mm	mm	mm	W	A	°C		kg	dBa
Designation	Nominal torque	Nominal speed	Reference	L1 max.	L2 (±3 mm)	L3 max.	tube	Rated power	Rated current	Thermal tripping	Brake type	Weight	Noise
Pergola SP 60 30/45	30	45	5067323	733	718	738	670	370	1,6	140	Sliding	5,00	65

Neutral	Blue
Live	Brown
Earth	Green / Yellow



Name Date	R&D	QUALITY	EDITOR
	P. Puthod	C. Belin	C. Louet