

designation	Sun sensor
reference	EACT050100
range	Somfy Line

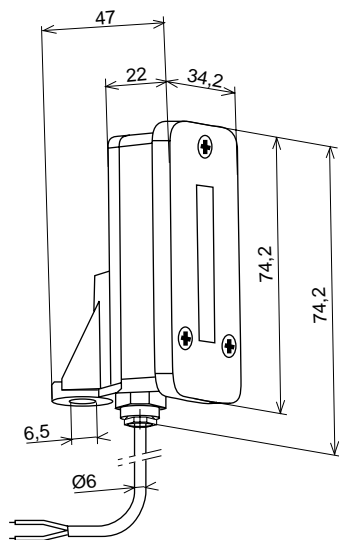
FUNCTIONS

Enables to measure the ambient luminosity.

TECHNICAL SPECIFICATIONS

Box	Material Colour Protection factor against solid and splashproof	Lexan white IP43
Cable	Colour Type Number of wires Section of wires Diameter of the cable	black RRF 2 0,75 mm ² 6 mm
Electromagnetic compatibility	CEI 801-2	8 kV minimum
Temperature range	Working Storing	-20°C to +60°C -20°C to +70°C
Reception lobe	directivity with half sensitivity	≈ ±80°
Rate of relative humidity		90% maxi. to 25°C
Weight		145 g

DIMENSIONS



COMPATIBILITIES AT THE 26/09/00

- SL1000 n
- SL1000 n BV
- SL1000 n Demo
- SL1010 n
- SL1010 n Demo
- SL1100 n
- SL1100 n BV
- SL1100 n Demo
- SL1110 n
- SL1110 n Demo

WIRING

