

HOME MOTION BY	somfy	24/07/2006	LOGGIA RTS TECHNICAL DATA	DMKI - FPTE RANGE 1 LOGGIA RTSRange1R0
-------------------	-------	------------	----------------------------------	--

Nominal voltage	230 V - 50Hz		
Power supply tolerances	207 - 244 V		
Thermal time	4 minutes for all motors		
Number of wires of the cable	3		
Wire section	0,75 mm ²		
Type of limit switch unit	Electronic		
Capacity of the LSU	200 turns		
Repeatability	<± 3°		
System of protection	IP 44		
Interface drawing	Screw implantation for LT50 mounting 206810-Wheel interface LT50 206821-Crown interface LT50 206822- Interface drawing star head LT50 and LT50PA/PS 206823-		
Coding	Rolling code 16 million of possibilities		
Capacity of memory	12 different codes		
Range	20 m with 2 reinforced concrete walls to be passed through		
End product protection	At the up and dow direction		
Maximun time of fonctionning without stop	3 minutes		
Electromagnetic compatibility	CEI 1000-4-2	8 kV minimum	
	CEI 1000-4-3	level III	
	CEI 1000-4-4	level III	
Standard	IETS 300-220 *		
Basic crown for tube Ø	50 x 1,5 mm		
Temperature working range	Normal use : -10°C to +40°C Exceptionnall use (2% of the life time not simultaneous) : -20°C to + 70°C		
Noise level	According to SOMFY measures (for information only).Worse value : in load up direction during 10 seconds.		

Designation	Nm	rpm	Reference	mm		mm	mm	W	A	°C	Brake type	kg	dBA
	Nominal torque	Nominal speed		L1 max.	L2 (±3 mm)	L3 max.	tube	Rated power	Rated current	Thermal tripping		Weight	Noise
LOGGIA RTS 6/17	6	17	5005459A	605	590	613	540	90	0,45	140	sliding	1,72	47
LOGGIA RTS 10/17	10	17	5005460A	655	640	663	590	120	0,5	140	sliding	1,85	47
LOGGIA RTS 15/17	15	17	5005461A	655	640	663	590	140	0,65	150	sliding	1,95	50



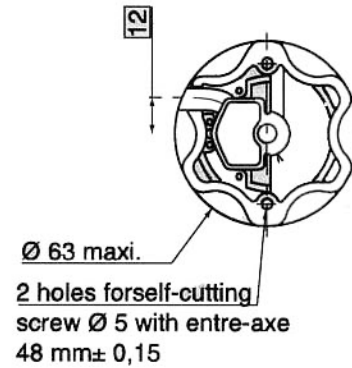
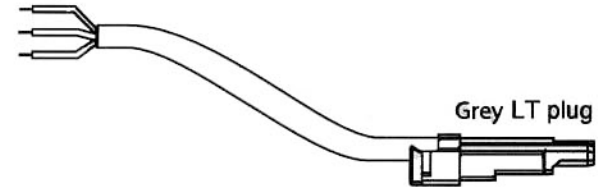
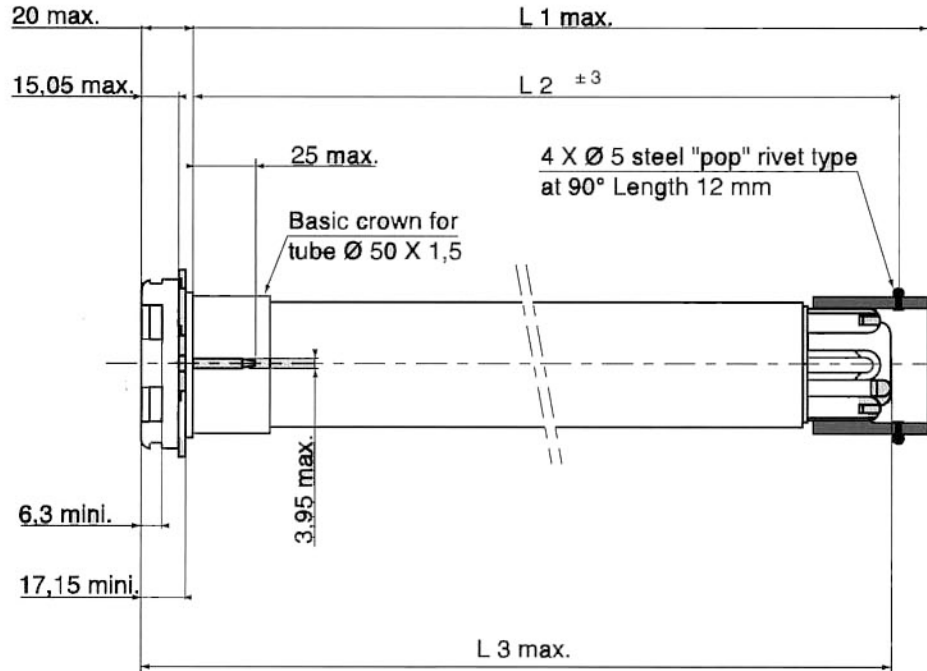
24/07/2006

LOGGIA RTS TECHNICAL DATA

RANGE 1

WIRING	Neutral	Blue
	Live	Brown
	Earth	Green / Yellow

- Get control : Push the UP and DOWN button of the control in order to get control of the motor after the first power on during the factory mode
- Reversal of the direction : by pushing the stop button of the transmitter during 2" during the factory mode
- Replacement of a lost transmitter : 1- double cut-off with making alive from 5" to 10".
 2- push briefly the programming button of a new transmitter until the motor moves UP and DOWN briefly.
- Complet reset of the memory : 1- double cut-off with making alive from 5" to 10".
 2- push briefly the programming button of a new transmitter until the motor moves twice UP and DOWN briefly.



24-juillet. 2006

Visa :	R & D <i>25/07/2006</i> <i>E. GRUZZI</i>	QUALITY <i>26/07/2006</i> <i>X. COLET</i>	AUTHOR <i>BRIZILLE. F</i>
--------	---	--	---------------------------