

**SOMFY®**

23/03/99

**LT 50 RH TECHNICAL DATA**DMKI - FPTE  
RANGE 1  
LT50RHRange1R3

Nominal voltage	230 V - 50 Hz	<b>WARNING : USE SQUARE STUD OR "LO" PLATE</b>
Power supply tolerances	207 - 244V	
Thermal time	4 minutes	
Number of wires of the cable	4	
Wire section	0,75 mm <sup>2</sup>	
Type of limit switch unit	Quick limit switch	
Capacity of the LSU	46 turns	
Repeatability	± 5°	
System of protection	IP 44	
Interface drawing	Wheel interface LT50 206821-Crown interface LT50 206822-Bracket interface LT50RH 206824-Screw implantation for LT50 RH mounting 206867.	
Basic crown for tube Ø	50 x 1,5 mm	
Temperature working range	Normal use : -10°C to +40°C    Exceptionnall use (20% of the life time not continuous) : -25°C to + 70°C	
Noise level	According to SOMFY mesures (for information only).Worse value : in load up direction during 10 seconds.	

Designation	Nm	rpm	reference	mm	mm	mm	mm	W	A	°C	Brake type	kg	dBA
	Nominal torque	Nominal speed		L1 max.	L2 (±3 mm)	L3 max.	tube	Rated power	Rated current	Thermal tripping		Weight	Noise
<b>Hermes RH</b>	<b>4</b>	<b>32</b>	200211	505	490	510	440	90	0,45	140	sliding	1,72	51
<b>Ariane RH</b>	<b>6</b>	<b>17</b>	200220	505	490	510	440	90	0,4	140	sliding	1,72	46
	<b>6</b>	<b>32</b>	200214	525	510	530	460	120	0,5	140	sliding	1,85	52
	<b>6</b>	<b>54</b>	200384	555	540	560	490	160	0,7	150	sliding	2,15	-
<b>Ceres RH</b>	<b>8</b>	<b>12</b>	200210	505	490	510	440	90	0,4	140	sliding	1,72	46
	<b>8</b>	<b>17</b>	200221	505	490	510	440	90	0,45	140	sliding	1,72	47
<b>Jet RH</b>	<b>10</b>	<b>17</b>	200222	525	510	530	460	120	0,5	140	sliding	1,85	47
	<b>10</b>	<b>54</b>	200383	605	590	610	540	240	1,1	150	sliding	2,25	-
<b>Atlas RH</b>	<b>15</b>	<b>12</b>	200212	525	510	530	460	120	0,5	140	sliding	1,85	48
	<b>15</b>	<b>17</b>	200223	525	510	530	460	140	0,65	150	sliding	1,95	50
	<b>15</b>	<b>32</b>	200215	605	590	610	540	240	1,1	150	sliding	2,55	56
<b>Meteor RH</b>	<b>20</b>	<b>12</b>	200213	525	510	530	460	140	0,65	150	sliding	1,95	53
<b>Gemini RH</b>	<b>25</b>	<b>17</b>	200225	555	540	560	490	170	0,8	150	sliding	2,2	56

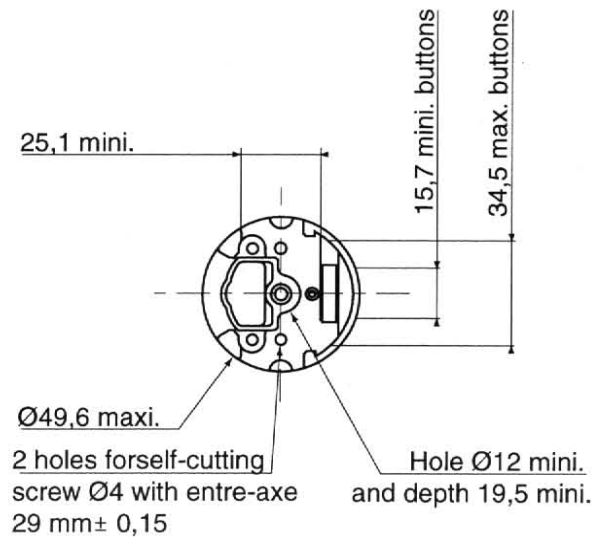
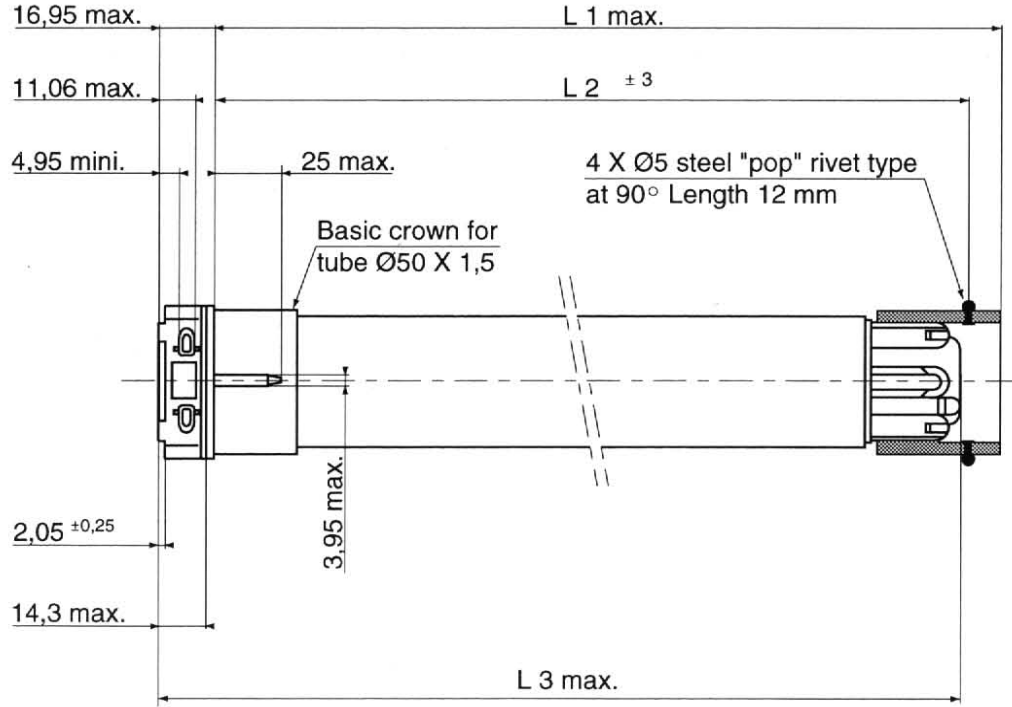
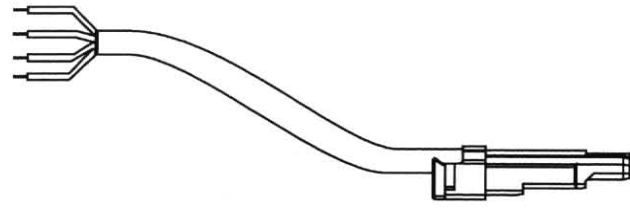


23/03/99

LT 50 RH TECHNICAL DATA

RANGE 1

WIRING	Neutral	Blue
	White button	Brown
	Yellow button	Black
	Earth	Green / Yellow



Visa : DT Quality GMD