



12/02/98

LT 60 TECHNICAL DATA

DMKI - FPTE
RANGE 1
LT60Range1R0

Nominal voltage	230 V - 50 Hz
Power supply tolerances	207 - 244V
Thermal time	4 minutes
Number of wires of the cable	4
Wire section	0,75 mm ²
Type of limit switch unit	Quick limit switch
Capacity of the LSU	35 turns
Repeatability	± 5°
System of protection	IP 44
Interface drawings	Wheel interface LT60 206801-Crown interface LT60, LT60ADF, FTS60 & LT60CSI 206802-Interface drawing star head LT60 206803-Interface drawing LT50&60 buttons 206817.
Basic crown for tube Ø	63 x 1,5 mm
Temperature working range	Normal use : -10°C to +40°C Exceptionnal use (20% of the life time not continuous) : -25°C to + 70°C
Noise level	According to SOMFY measures (for information only).Worse value : in load up direction during 10 seconds.

Designation	Nm	rpm	reference	mm			tube	W	A	°C	Brake type	kg	dBA
	Nominal torque	Nominal speed		L1 max.	L2 (±3 mm)	L3 max.		Rated power	Rated current	Thermal tripping		Weight	Noise
Orion	40	17	200425	614	597	620	550	280	1,25	140	sliding	3,94	63
Orion S	55	17	200426	614	597	620	550	320	1,5	150	sliding	4,17	64
Vega	60	12	200415	614	597	620	550	280	1,25	140	sliding	3,92	65
Antares	70	17	200427	659	642	665	595	410	1,9	150	sliding	4,59	66
Sirius	80	12	200416	614	597	620	550	320	1,5	150	sliding	4,19	65
Jupiter	85	17	200423	659	642	665	595	450	2,1	150*	sliding	4,45	65
Titan	100	12	200417	659	642	665	595	410	1,9	150	sliding	4,68	65
Taurus	120	12	200413	659	642	665	595	450	2,1	150*	sliding	4,45	65

* Non resetable thermal protector

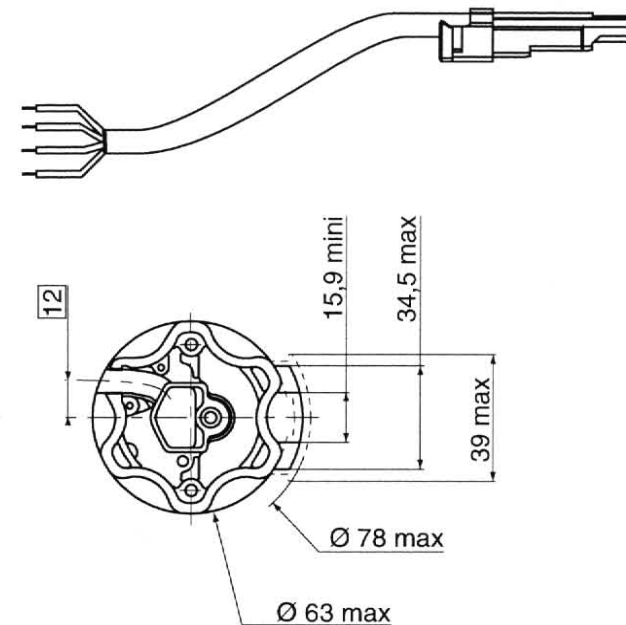
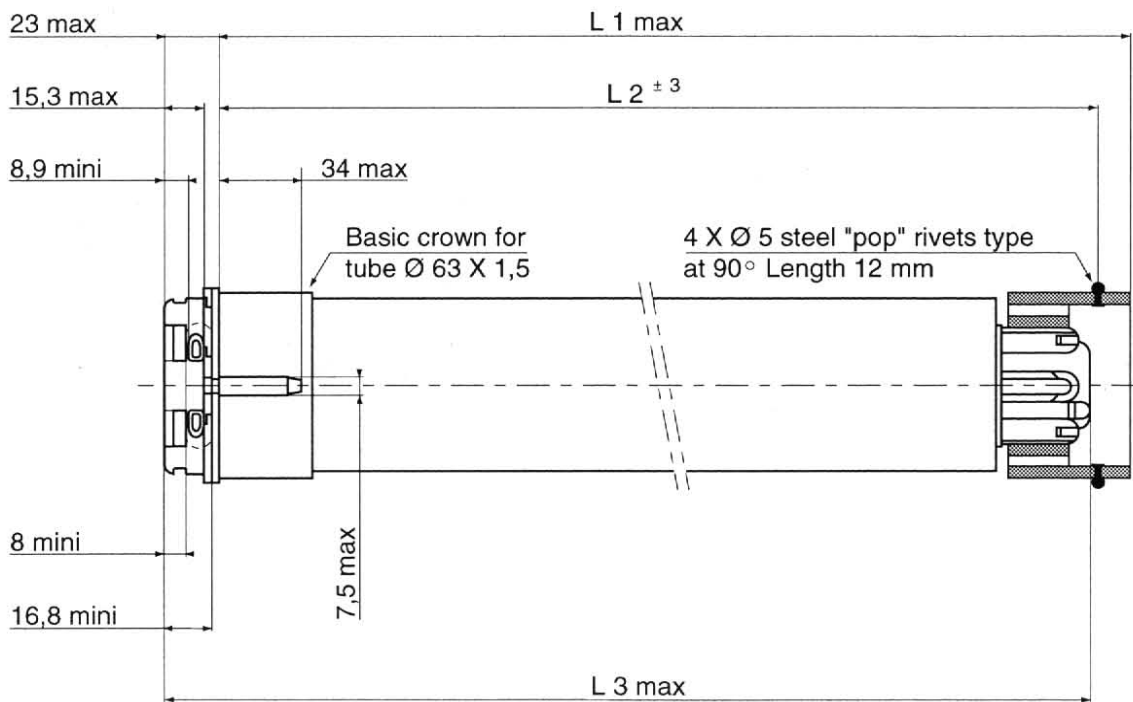


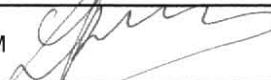

12/02/98

LT 60 TECHNICAL DATA

RANGE 1

WIRING	Neutral	Blue
	White button	Brown
	Yellow button	Black
	Earth	Green / Yellow



Visa : BEM 
Quality 
MKI 