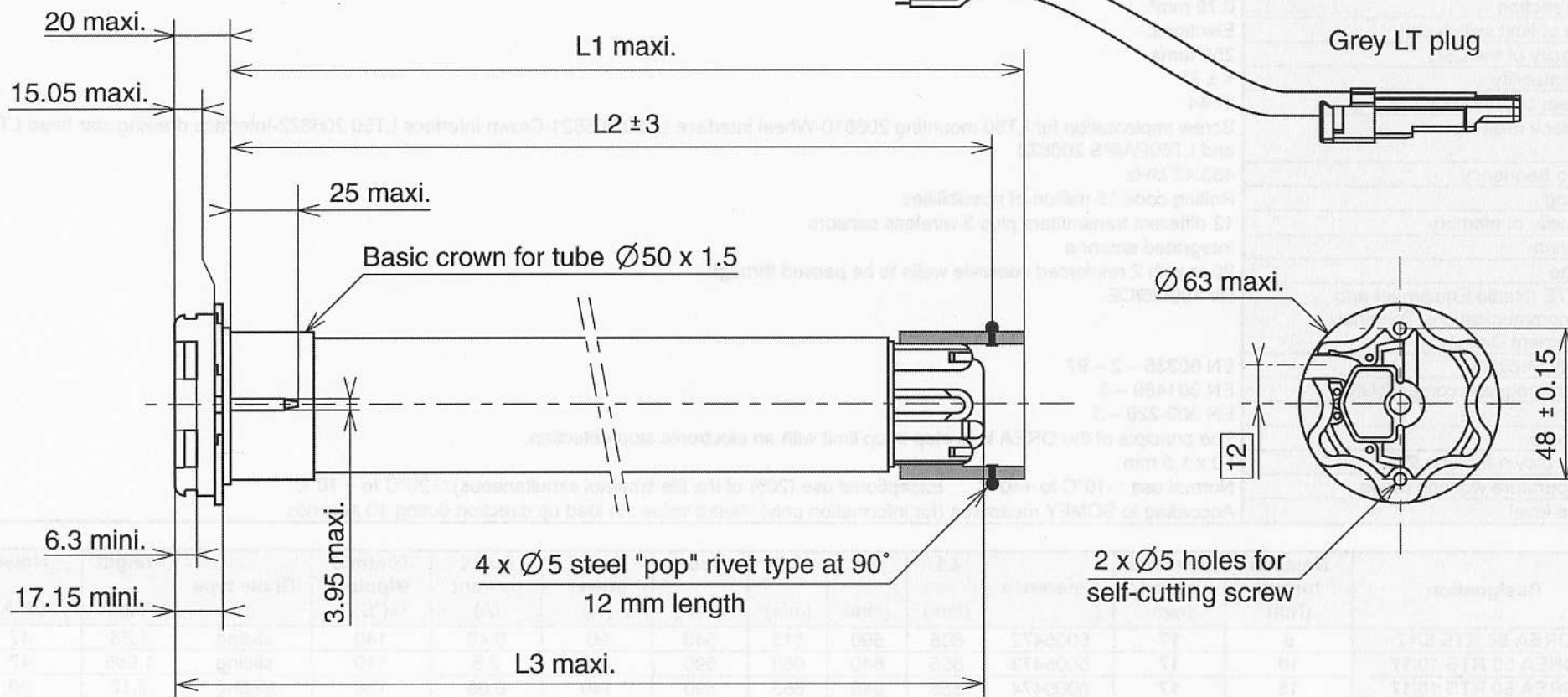


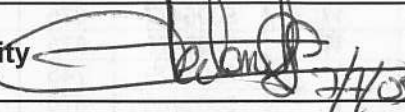
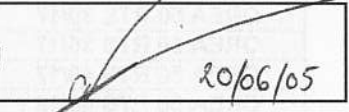


Type of head	Star head
Nominal voltage	230 V AC
Power supply tolerances	207 - 253 V AC
Frequency	50 Hz
Thermal time	4 minutes
Number of wires of the cable	3
Wire section	0.75 mm ²
Type of limit switch unit	Electronic
Capacity of the LSU	250 turns
Repeatability	< ± 3°
System of protection	IP 44
Interface drawing	Screw implantation for LT50 mounting 206810-Wheel interface LT50 206821-Crown interface LT50 206822-Interface drawing star head LT50 and LT50PA/PS 206823
Radio frequency	433.42 MHz
Coding	Rolling code 16 million of possibilities
Capacity of memory	12 different transmitters plus 3 wireless sensors
Antenna	Integrated antenna
Range	20 m with 2 reinforced concrete walls to be passed through
R&TTE (Radio Equipment and Telecommunications Terminal Equipment Directive)	Dir 1999/5/CE
Safety Security	EN 60335 – 2 – 97
Electromagnetic compatibility	EN 301489 – 3
Radio	EN 300-220 – 3
Principle	The principle of the OREA is to stop in up limit with an electronic stop detection.
Basic crown for tube Ø	50 x 1.5 mm
Temperature working range	Normal use : -10°C to +40°C Exceptional use (20% of the life time not simultaneous) : -20°C to + 70°C
Noise level	According to SOMFY measures (for information only).Worse value : in load up direction during 10 seconds.

Designation	Nominal torque (Nm)	Nominal speed (rpm)	Reference	L1 (mm)	L2 (mm)	L3 (mm)	Tube (mm)	Rated power (W)	Rated current (A)	Thermal tripping (°C)	Brake type	Weight (kg)	Noise (dBA)
OREA 50 RTS 6/17	6	17	5005472	605	590	613	540	90	0.45	140	sliding	1.85	47
OREA 50 RTS 10/17	10	17	5005473	655	640	663	590	120	0.5	140	sliding	1.985	47
OREA 50 RTS 15/17	15	17	5005474	655	640	663	590	140	0.65	150	sliding	2.12	50
OREA 50 RTS 20/17	20	17	5005475	655	640	663	590	160	0.75	150	sliding	2.22	53
OREA 50 RTS 25/17	25	17	5005476	655	640	663	590	170	0.8	150	sliding	2.34	56
OREA 50 RTS 30/17	30	17	5005477	675	660	683	610	240	1.1	150	sliding	2.50	55
OREA 50 RTS 35/17	35	17	5005478	675	660	683	610	240	1.1	150	sliding	2.56	56
OREA 50 RTS 40/17	40	17	5005479	745	730	753	680	270	1.2	140	coil brake	2.85	57
OREA 50 RTS 50/12	50	12	5005480	675	660	683	610	240	1.1	150	sliding	2.585	55

WIRING	Neutral	Blue
	Live	Brown
	Earth	Green / Yellow



Visa : 	DT  21/6/05	Quality  21/6/05	Marketing  20/06/05
--	---	---	--