

designation	Anemometer
reference	127930 -
range	

FUNCTIONS

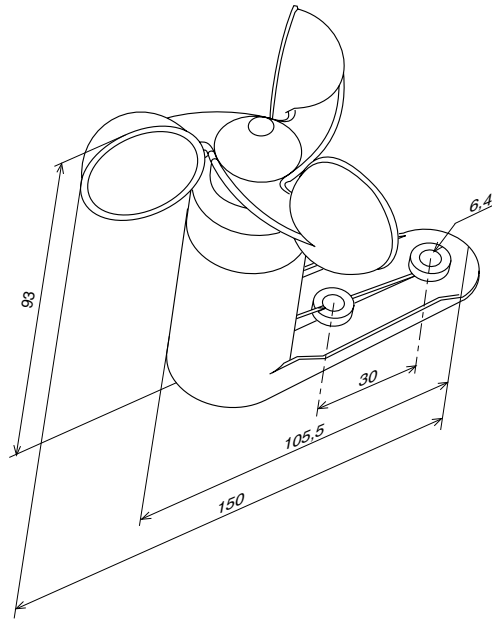
Enables to measure the wind speed.

On an installation, this product must be changed every three years.

TECHNICAL SPECIFICATIONS

Box	Material	LURAN S
	Color	white and black
	Protection factor against solid	IP43
Cable	Color	White
	Type	H 05VV-F
	Wire number	2
	Wire section	0,75 mm ²
	Cable diameter	Ø 6 mm
	Length of the cable	2 m
Temperature range	Working	-20°C to +60°C
	Storing	-20°C to +70°C
Rate of relative humidity		90% maxi. to 25°C
Compatibilité électromagnétique	CEI 801-2	8 kV minimum
Weight		160 g
CE marking		yes
Approvals		

DIMENSIONS



COMPATIBILITIES

- SL1000 n
- SL1000 n BV
- SL1000 n Demo
- SL1010 n
- SL1010 n Demo
- SL1100 n
- SL1100 n BV
- SL1100 n Demo
- SL1110 n
- SL1110 N Demo

- SL1000
- SL1000 AG
- SL1000 BV
- SL1000 Demo
- SL1010
- SL1010 AG
- SL1010 BV
- SL1010 Demo
- SL1010 n Demo

- SM1
- Wind control
- SMS

WIRING AND CONFIGURATION

