



Data Sheet

Created : 23/06/2009

SDEV-FICA 29

Revision index R0

Designation

POWER 2,7DC 230V/24V

reference

5061470

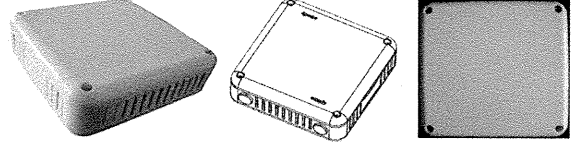
range

Wired basic control

FUNCTIONS

The POWER 2,7DC W/CABLE 230V/24V is a power supply interface for 24V DC motors

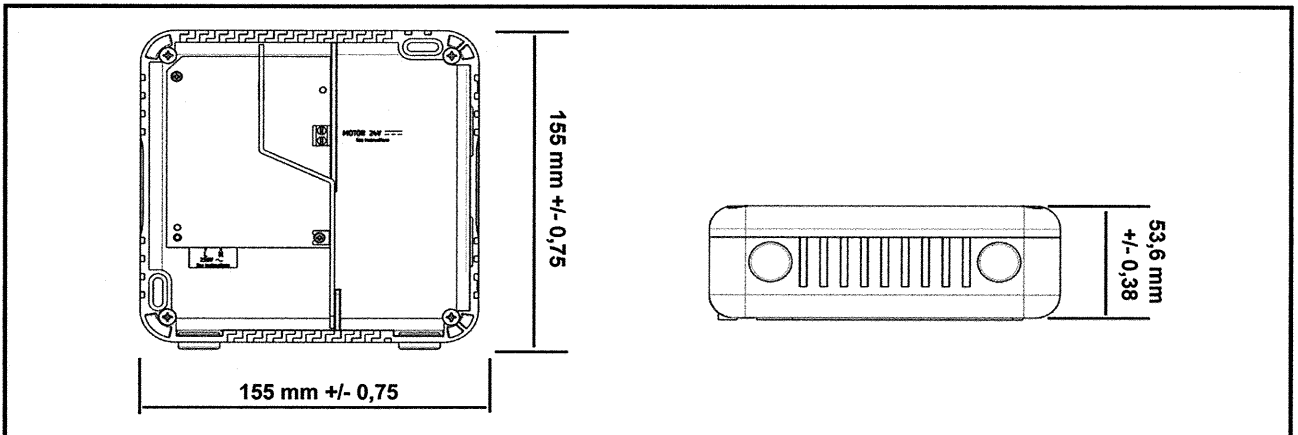
Caution : FOR INDOOR USE ONLY



TECHNICAL SPECIFICATIONS

BOX	Material Color Size Protection factor Weight (net)	plastic white 155 x 155 x 54 (mm) IP20 430 g
INPUT	Range of supply voltage Frequency No load power consumption Max wire size for terminals Fuse	198-255 V AC 50 Hz 0,3 W 1,5 mm ² Fuse
OUTPUT	Nominal current for actuator power Voltage Ripple (peak to peak) Total regulation Max wire size for terminals Fuse	2,7A 24Vdc SELV < 500mV + / - 5% (22,8V to 25,2V) 1,5 mm ² auto-recovery
POWER SUPPLY SPECIFICATIONS	Type Time before thermal protector trips	SMPS (switching mode pwr supply) NO
STANDARDS	Standards reference Approvals Insulation class	EN60950, EN50022 classB CE Class II
TEMPERATURE RANGE	Working Storage Rate of humidity relative	-10°C to +55°C / 7min ON, 30min OFF, 7min ON -20°C to 80°C 85% HR at 30°C
CONNECTORS	Input Output	screw terminal; IEC320 C8 (2P) screw terminal

Dimensions (mm)



Visa :

Project Manager	Franck VIZIER	Quality	Xavier COLET
Technical Leader	Patrick LIENART		