



11-Apr-07

**WIREFREE Roll up 30 RTS TECHNICAL DATA**

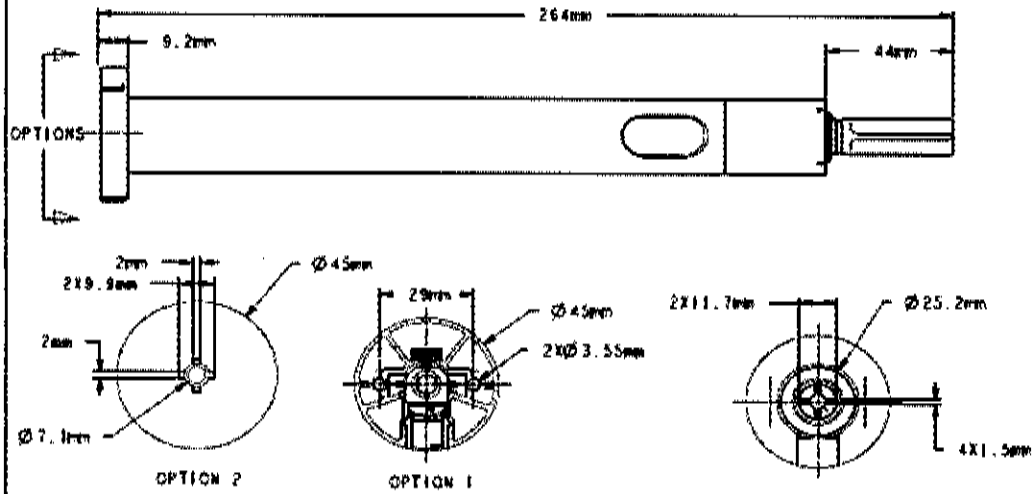
DMKJ - PPTB

DC range -WIREFREE Range

Nominal voltage (VDC)	12
Power supply tolerances (VDC)	9 To 14
Batteries	8 * battery cells L91 Energizer (Lithium)
Thermal time	150" (2.5')
Type of limit switch unit	Electronic (magnetic)
Capacity of the LSU	80 turns
Repeatability	± 5"
Radio frequency	433,42 MHz
Radio protocol	US8
Capacity of memory	12 Transmitters
Antenna	Wire 18 cm going out of the head (must not be cut or lengthened).
Range	20 m with 2 reinforced concrete walls to be passed through
Service stress	Antenna out of the rolling area
Interface drawing	Screw interface drawing Crown interface drawing Drive interface drawing
Electromagnetic compatibility	CEI 1000-4-2 8kV CEI 1000-4-3 10V/m CEI 1000-4-4 4kV CEI 1000-4-5 3kV CEI 1000-4-6 3V/m CEI 1000-4-8 3A/m
Standard	FCC Part 15
Radio	EN 300-220-3
Temperature working range	EN55014, EN 55022
Noise level	Normal use : 0°C to +60°C According to SOMFY measures (for information only).Worse value : in load up direction during 10 seconds.

Designation	Nm	rpm	rpm	rpm	rpm	A	mm	kg	dB(A)		
	Nominal Torque (Nm) (Inch/Lb)	UP Speed at No Load (rpm)	UP Speed at Nominal Torque (rpm)	Down Speed at No Load (rpm)	Down Speed at Nominal Torque (rpm)	Stall torque (Nm)	Current at Nominal Torque (A)	Minimum Tube Inside Diameter (mm)	Brake type	Weight (Kg)	Noise (dBA)
Wirefree Roll up 30	1.13	43	27	44	52	1.5	1	30	Magnetic	0.22	65
	10										

FOR 12VDC



LT30R - NO TEARDROP

Name: Francois VALOTEAU		Name: Sergio GARCIA		Name: Christelle GRANIER	
Date: 4/11/07		Date: 4/11/07		Date:	Visa: