



## SONESSE 50 RTS TECHNICAL DATA

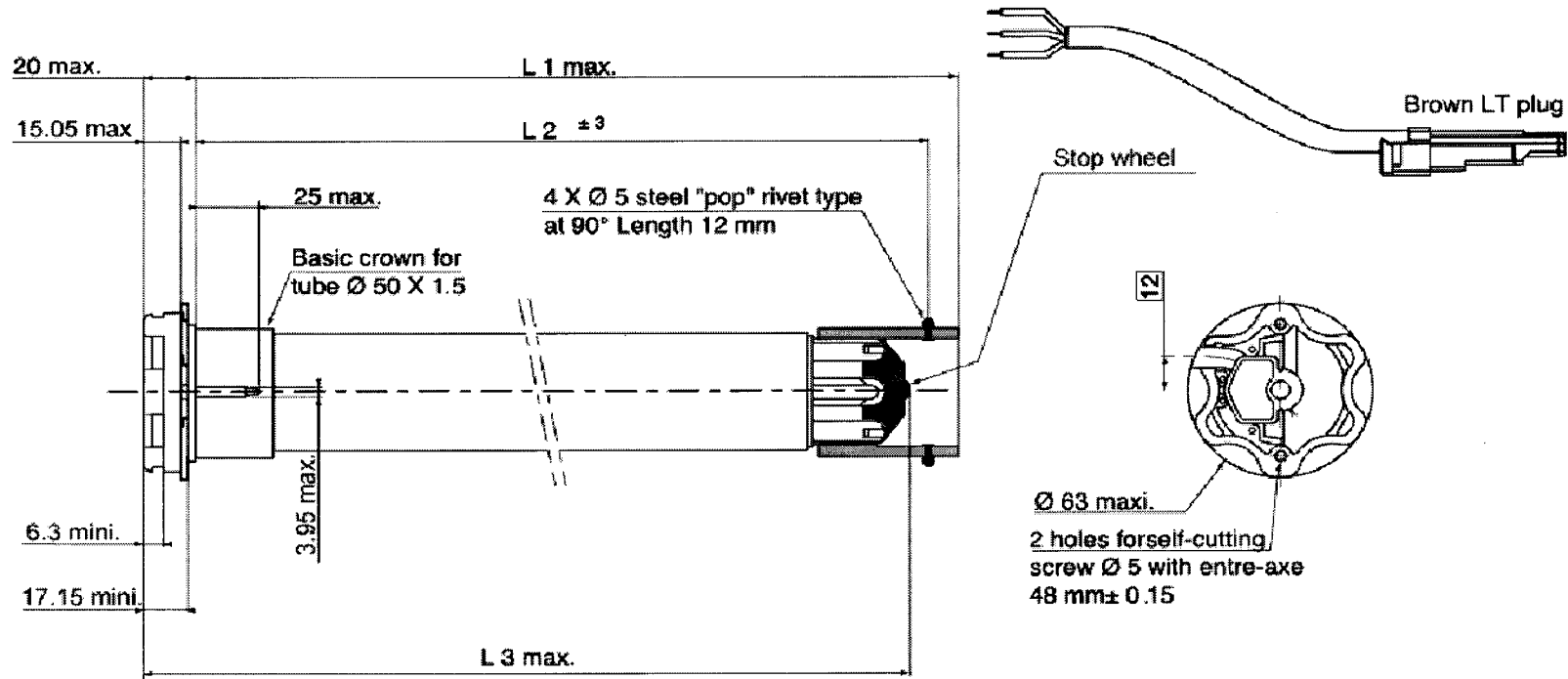
TS - FPTE  
RANGE 1  
ST50 RTS Range1 R1  
16/07/2007 Page 1/2

Nominal voltage	230V - 50 Hz
Power supply tolerances	207 - 253 V
Thermal time	4 minutes
Number of wires of the cable	3
Wire section	0,75 mm <sup>2</sup>
Type of Limit Switch Unit	Electronic limit switch
Capacity of the Limit Switch Unit	250 turns
Repeatability	+/- 3°
System of protection	IP 31
Interface drawings	206810 : Screw Implantation LT50 206821 : Wheel Interface LT50 206822 : Crown Interface LT50 206823 : Star Head LT50, LT50 PA/PS
Basic crown for tube Ø	50 x 1,5 mm + see integration recommendations
radio frequency	433,42 MHz
coding	Rolling code 16 million of possibilities
capacity of memory	12 different transmitters plus 3 wireless sensors
antenna	Integrated antenna
range	20m with 2 reinforced concrete walls to be passed through
R&TTE	Dir 1999/5/CE
Safety Security	EN 60335-2-97
Electromagnetic compatibility	EN 301489-3
Radio	EN 300-220-3
Temperature working range	Normal use : 0°C to + 60°C
Noise Level	According to SOMFY measurements (Pressure level measured at 1m from the end product).

<b>Integration recommendations</b>	
	<ul style="list-style-type: none"> <li>* The noise level depends upon the right fit between customers tubes and accessories, especially the crowns and the wheels.</li> <li>* Free plays have to be minimized between the accessories and the end product tube to ensure the performance of the actuator.</li> <li>* Interior tube diameter &gt; 47 mm - compatible with LT50 range crowns and wheels -</li> <li>* Crown as an interface with tubes is compulsory to ensure the performance of the actuator.</li> <li>* The stop wheel (ref : 9910004) must be screwed with a torque ranging between 1.5Nm and 1.8Nm.</li> <li>* Drive wheel must be riveted to the tube.</li> <li>* It's recommended to use the specific collapsible idler end cap (ref : 9013592 or ref : 9013593) for silent result (do not use LT50 idler end caps).</li> <li>* Somfy Soft Clip wheels are forbidden for this application.</li> </ul>

Designation	Tests done at 20°C, 230V 50Hz, in a tube of Ø63														
	Nm	rpm		mm	mm	mm	mm	W	A	°C		kg	dBa	mm	µF
	Nominal torque	No-load Speed	reference	L1 max.	L2 (±3 mm)	L3 max.	tube	Rated power	Rated current	Thermal tripping	Brake type	Weight	Noise	Stator	Capacitor
SONESSE 50 RTS 3/28 VVF 3m	3	28	5047828A	783	770	796	720	90	0,4	120	sliding	2,875	≤44	60	2,5

WIRING	Neutral	Blue
	Live	Brown
	Earth	Green / Yellow



R & D		QUALITY		AUTHOR	
Name	Yann LE RU	Name	Xavier COLET	Name	Amaud MARTIN
Date	16/07/07	Date	17/07/2007	Date	le 16/7/7
Visa		Visa		Visa	