



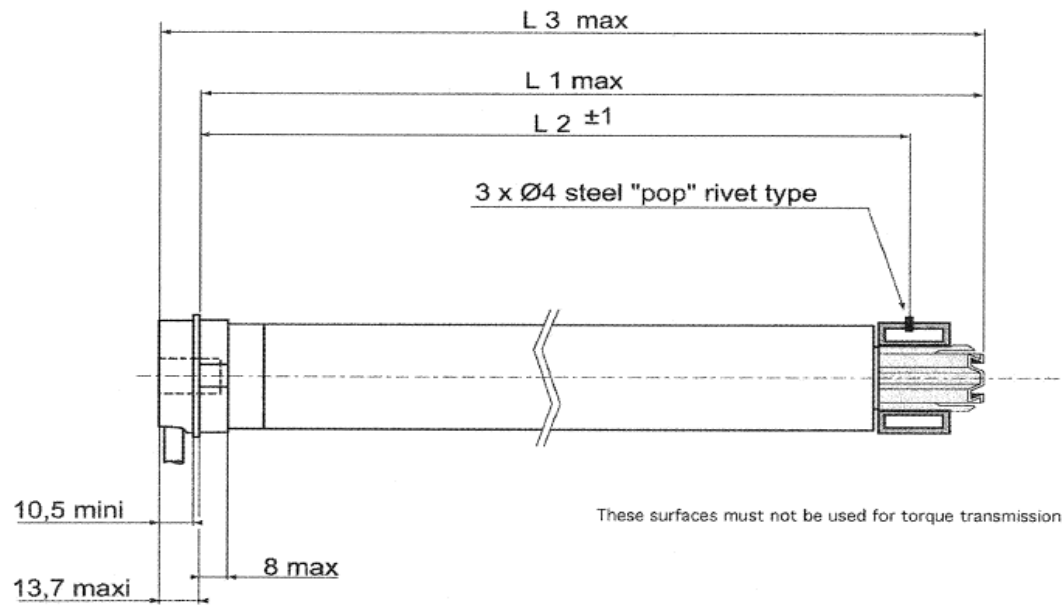
Datasheet SONESSE® 40 RTS range1

SDEV-CLU-IMPS 61R1
 DOC101847 **003**
 SONESSE 40 RTS Range 1

Nominal voltage	230 V - 50 Hz
Power supply tolerances	207 - 253V
Thermal time	5 minutes
Number of wires of the cable	2
Wire section	0,75 mm ²
Insulation class	Class II
Type of limit switch unit	Electronic
Capacity of the LSU	250turns, limited to 3 minutes of rotation without stop
Repeatability	± 4°
System of protection	IP 44
Interface drawings	Screw implantation for LS40 mounting 147897 - Wheel interface LS40 147887 - Crown interface LS40 147888 - LS40 & Altus 40 head interface drawing 147465.
Radio frequency	433,42 Mhz
Coding	Rolling code 16 million of possibilities
Capacity of memory	12 different codes plus 3 wireless sensors
Range	20 m with 2 reinforced concrete walls to be passed through
RE TTE (Radio equipment and telecommunications terminal equipment directive)	Dir 1999/5/CE
Safety Security	EN 60335-2-97
Electromagnetic compatibility	EN 301489-3
Radio	EN 300-220-3
Angular free-play for venetian application	Angular free-play between the drive wheel accessory & the tube + free-play between the crown accessory & the tube, must not exceed 8°
Wheel unclipping force	≈ 7 Kg
Temperature working range	From 0°C to 60°C: 10 000 cycles (1 cycle = 1 u p/down movement of 2m height for a blind) Restriction: from 0°C to 10°C 1500 cycles from 35°C to 60°C 3500 cycles
Noise Level	Power Level (measurement between 20°C to 35°C) : ac cording to standards ISO 3741 NF 31022 in dB(A) ref 1pW, worst value at nominal Torque in up direction

	Nm	rpm	mm	mm	mm	mm	W	A	kg	db(A) ref 1pW
Designation	Nominal torque	Nominal speed	L1 max.	L2 (±3 mm)	L3 max.	tube	Rated power	Rated current	Weight	Noise Power Level
SONESSE 40 RTS 3/30	3	30	504	480	517	445	95	0,44	1,225	42
SONESSE 40 RTS 6/20	6	20	535	511	548	476	120	0,55	1,25	45
SONESSE 40 RTS 9/12	9	12	535	511	548	476	120	0,98	1,35	40

WIRING	Neutral	Blue
	Live	Brown



Applicable on all types of tubes

