



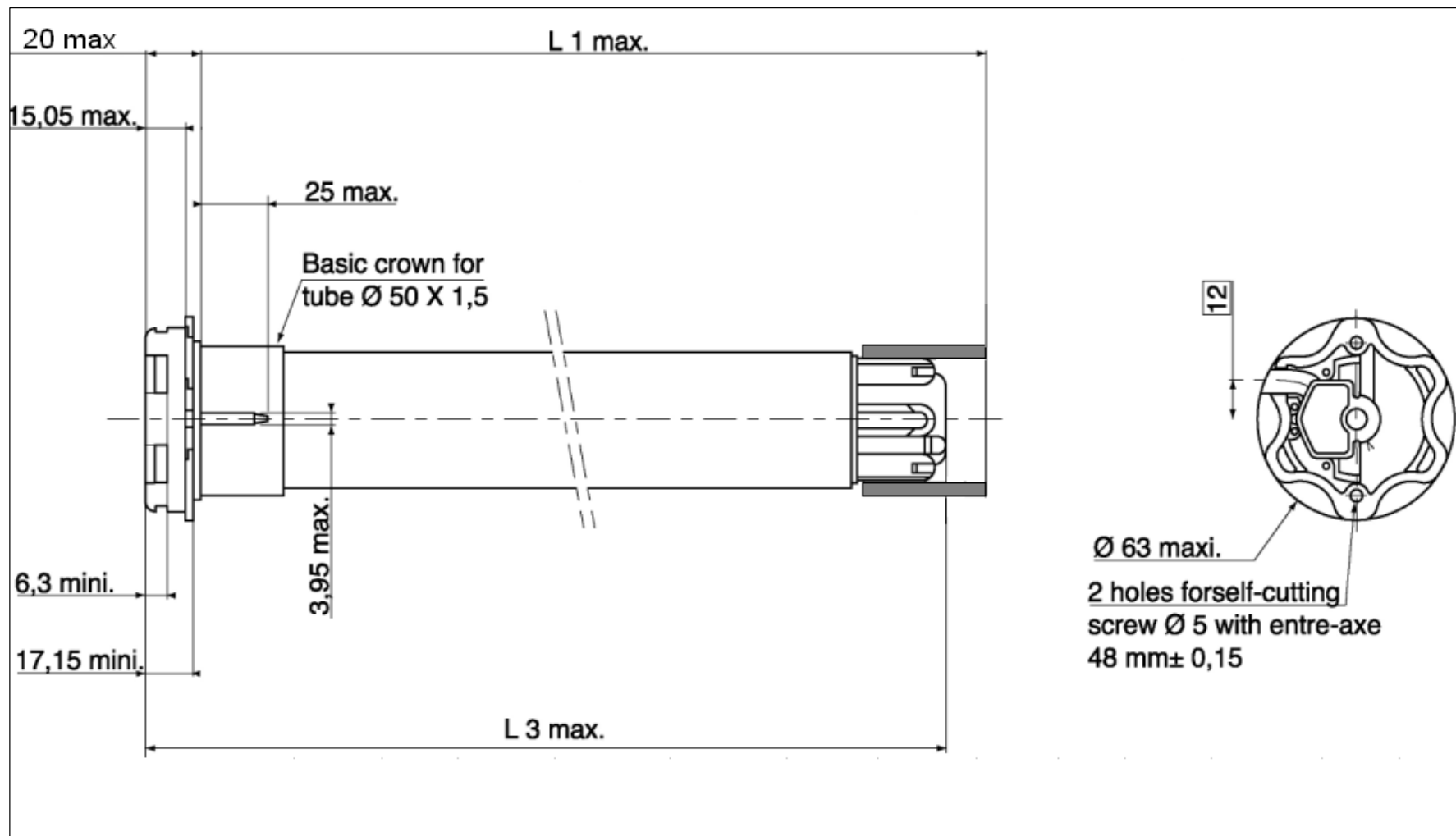
26-05-2008

### ILMO 50 S WT TECHNICAL DATA

SDEV-CLU-IMPS 61R1  
SDEV- FICA 08 R0  
ILMO 50 WT Range1 R0

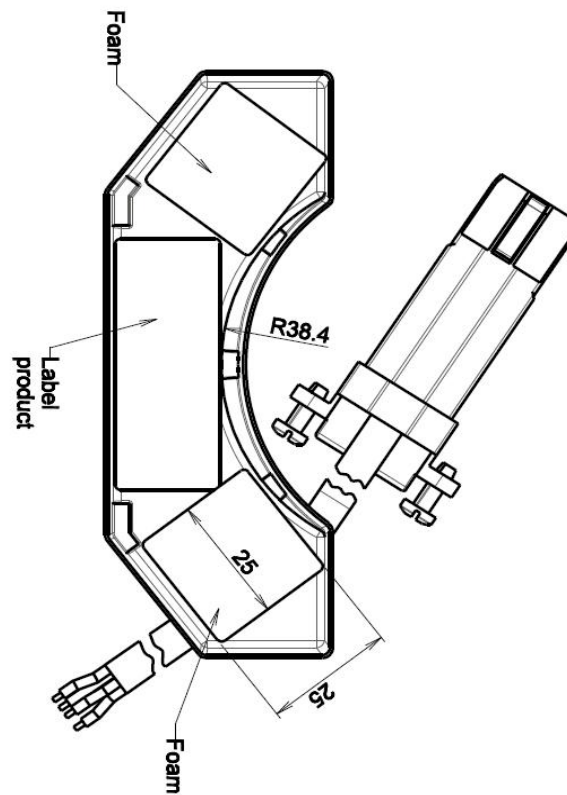
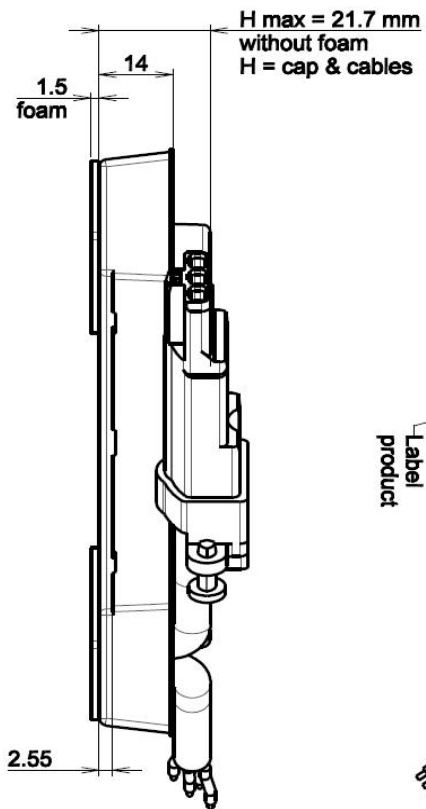
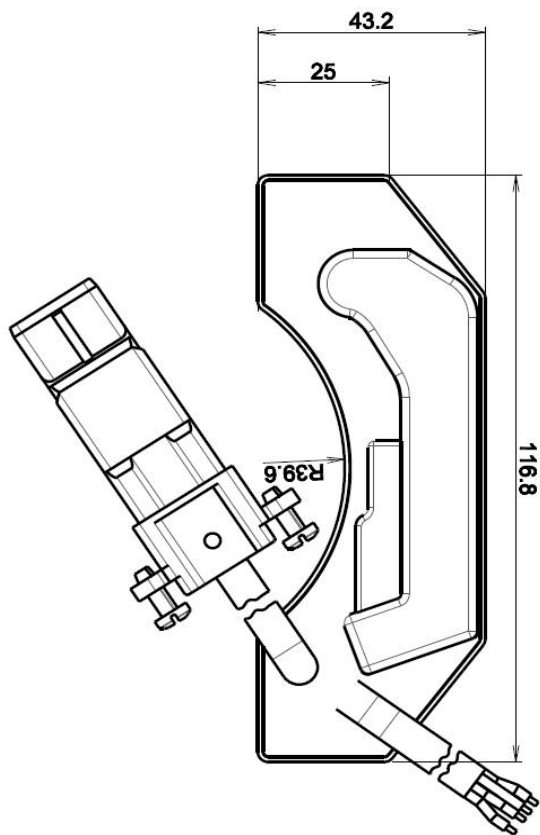
Type of head	Star head
Nominal voltage	230 V - 50Hz
Power supply tolerances	207 - 253 V
Thermal time	4 minutes
Number of wires of the cable	4
Wire section	0,75 mm <sup>2</sup>
Type of limit switch unit	Electronic
Repeatability	Stop always at the torque detection limit for nominal torque
System of protection	IP 44
Interface drawings	Screw implantation for LT50 mounting 206810-Wheel interface LT50 206821-Crown interface LT50 206822-LT50 and LT50PA/PS star head interface drawing: 206823-
Insulation class	Class 2
Type of adjusting of the end limits	Self detection of rotation and Automatic ajustement dedicated to Roller shutter with rigid fasteners and stoppers
End product protection	In the up and down direction
Accessories compatibility	ABS wheel: Not Compatible - Differential: Not compatible - Double insulation accessories : Compatible
Maximun time of functioning without stop	3 minutes
Basic crown for tube Ø	50 x 1,5 mm
Temperature working range	Normal use : -10°C to +40°C Exceptionnall use (20% of the lifetime not simultaneous) : -20°C to + 70°C
Electrical safety	EN60335-1: 2002 + A11:2004 + A1:2004 + A12:2006 + A2:2006 / EN60335-2-97: 2006
Health test	EN50366 : 2003 + A1:2006
Electromagnetic compatibility	EN55014-1 : 2006 / EN55014-2 : 1997 + A1:2001 / EN61000-3-2 : 2006 / EN61000-3-3 : 1995 + A1:2001 + A2:2005
Noise level	According to SOMFY mesures (for information only).Worse value : with load in up direction during 10 seconds.

	Nm	rpm		mm	mm	mm	mm	W	A	°C		kg	dBA	mm	µF
Designation	Nominal torque	Nominal speed	Reference	L1 max.	L2 (±3 mm)	L3 max.	tube	Rated power	Rated current	Thermal tripping	Brake type	Weight	Noise	Stator	Capacitor
<b>Tubular S Module 6/17</b>	<b>6</b>	<b>17</b>	5052790A	367		375	302	90	0.4	140	sliding	1.3	46	35	2.5
<b>ILMO module WT</b>			5052793A												



Name Date	R&D	QUALITY	EDITOR

<b>WIRING</b>	<b>Neutral</b>	<b>Blue</b>
	<b>Direction1</b>	<b>Brown</b>
	<b>Direction 2</b>	<b>Black</b>
	<b>Earth</b>	<b>Green/Yellow</b>



Name Date	R&D	QUALITY	EDITOR

