

designation	Group control box 4 motors
reference	128617-3ST
range	BOX LINE

FUNCTIONS

Relay box which allows group control of up to 4 motors through one fixed position switch or several momentary position switches.

No individual control available.

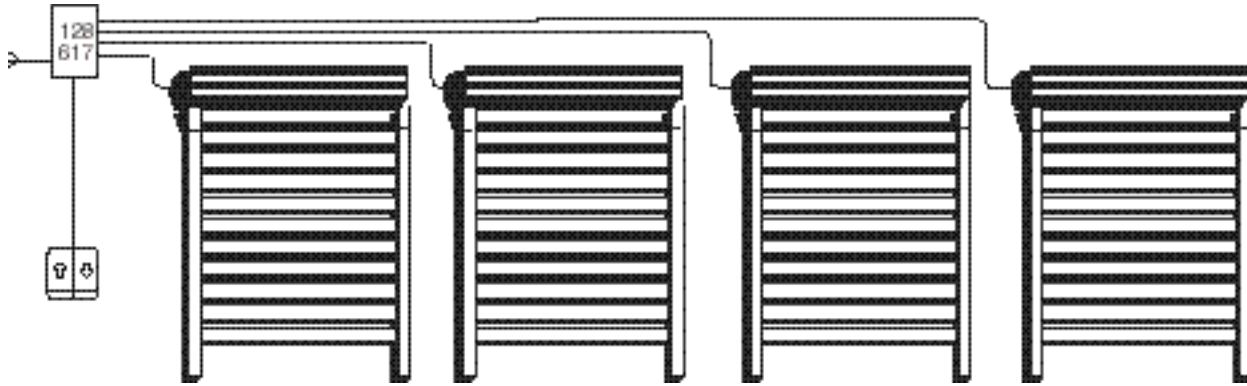
Several control boxes can be connected in parallel in order to control more than 4 motors.



TECHNICAL SPECIFICATIONS

Box	Material	ABS
	Colour	Beige
	Dimensions	150 X 75 X 106 mm
	Protection factor against solid and splashproof	IP 40
Supply	nominal	220-240 V~
	limits	198-255 V~
	Frequency	50 - 60 Hz
Fuse	four fuses	3,15 A-250 V~
Standard		EN-60730 EN 50081 EN 50082
Temperature range	Working	0°C à +40°C
	Storing	-20°C à +70°C
Connectors		screws
Output relays		250 V~ 3.15 A
Electromagnetic compatibility	CEI 1000-4-2	8 kV
	CEI 1000-4-3	lev III
	CEI 1000-4-4	lev III
Weight		580g

PRINCIPLE



COMPATIBILITIES AT THE 24/03/99

INPUT

Fixed or momentary switch

OUTPUT

230V~ motor.

WIRING

