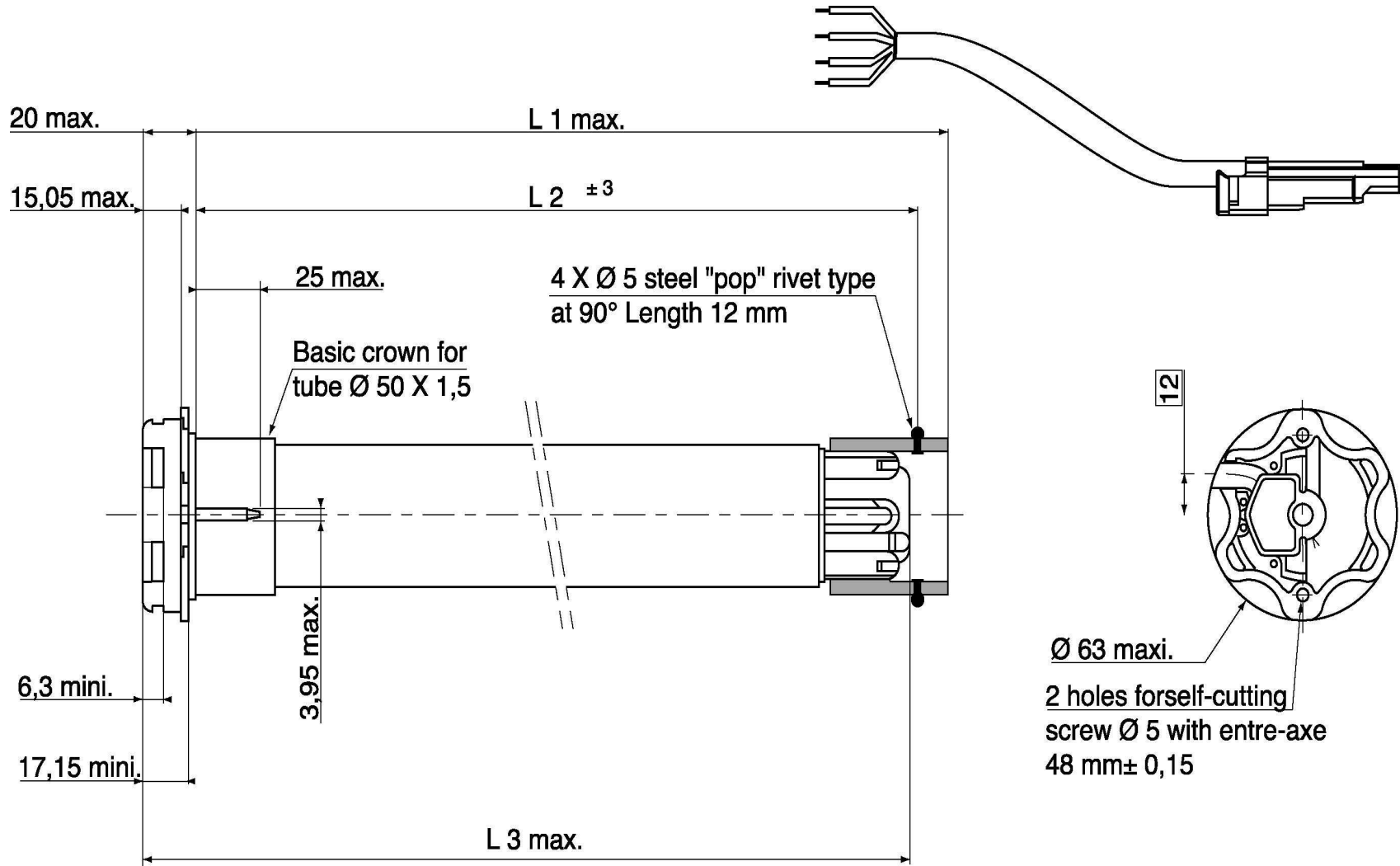


Nominal voltage	230 V - 50Hz
Power supply tolerances	207 - 253 V
Compatibility with Switches & controls	Compatible with Locked switches and automatismes designed for motors (2 mutually locked outputs) - Automatismes should be based on mechanical relays (static relays & triacs may cause non fonctionning)
Thermal time	4 minutes for all motors
Number of wires of the cable	4
Wire section	0,75 mm ²
Maximum length of the cable between electrical switch and motor	50 m
Type of head	Star Head
Type of limit switch unit	Electronic
Type of adjusting of end limits	Automatic -Half automatic - Manuel setting - From switch or setting tool
Capacity of the LSU	250 turns limited to 3 minutes of rotation w/o stop
Repeatability	<± 4°
System of protection	IP 44
Interface drawing	Screw implantation for LT50 mounting 206810-Wheel interface LT50 206821-Crown interface LT50 206822-Interface drawing star head LT50 and LT50PA/PS 206823-
Safety Security	EN 60335 - 2 - 97
Electromagnetic compatibility	EN 55014-2
End product protection	At the Up and Down direction
Accessories compatibility	ABS wheel: compatible - Differential: Not compatible - Double isulation accessories: compatible
Maximum time of functioning without stop	3 minutes
Basic crown for tube Ø	50 x 1,5 mm
Temperature working range	Normal use : -10°C to +40°C Exceptionnall use (20% of the life time not simultaneous) : -20°C to + 70°C
Noise level	According to SOMFY measures (for information only).Worse value : in load up direction during 10 seconds.

Designation	Nm	rpm	Reference	mm	mm	mm	mm	W	A	°C	Brake type	kg	dBA	mm	µF
	Nominal torque	Nominal speed		L1 max.	L2 (±3 mm)	L3 max.	tube	Rated power	Rated current	Thermal tripping		Weight	Noise	Stator	Capacitor
OXIMO WT 6/17	6	17	5010963A	605	590	613	540	90	0,45	140	sliding	1,72	47	35	2,5
OXIMO WT 10/17	10	17	5010964A	655	640	663	590	120	0,5	140	sliding	1,85	47	40	3,5
OXIMO WT 15/17	15	17	5010965A	655	640	663	590	140	0,65	150	sliding	1,95	50	55	4,5
OXIMO WT 20/17	20	17	5010966A	655	640	663	590	160	0,75	150	sliding	2,15	53	70	5,5
OXIMO WT 30/17	30	17	5010967A	675	660	683	610	240	1,1	150	sliding	2,55	55	100	7
OXIMO WT 40/17	40	17	5010968A	745	730	753	680	270	1,2	140	coil brake	2,8	57	100	7

WIRING	Neutral	Blue
	Direction 1	Brown
	Direction 2	Black
	Earth	Green / Yellow



Name Date	R&D	QUALITY	EDITOR
	P. Ravoire	M. Roger	V. Chautagnat