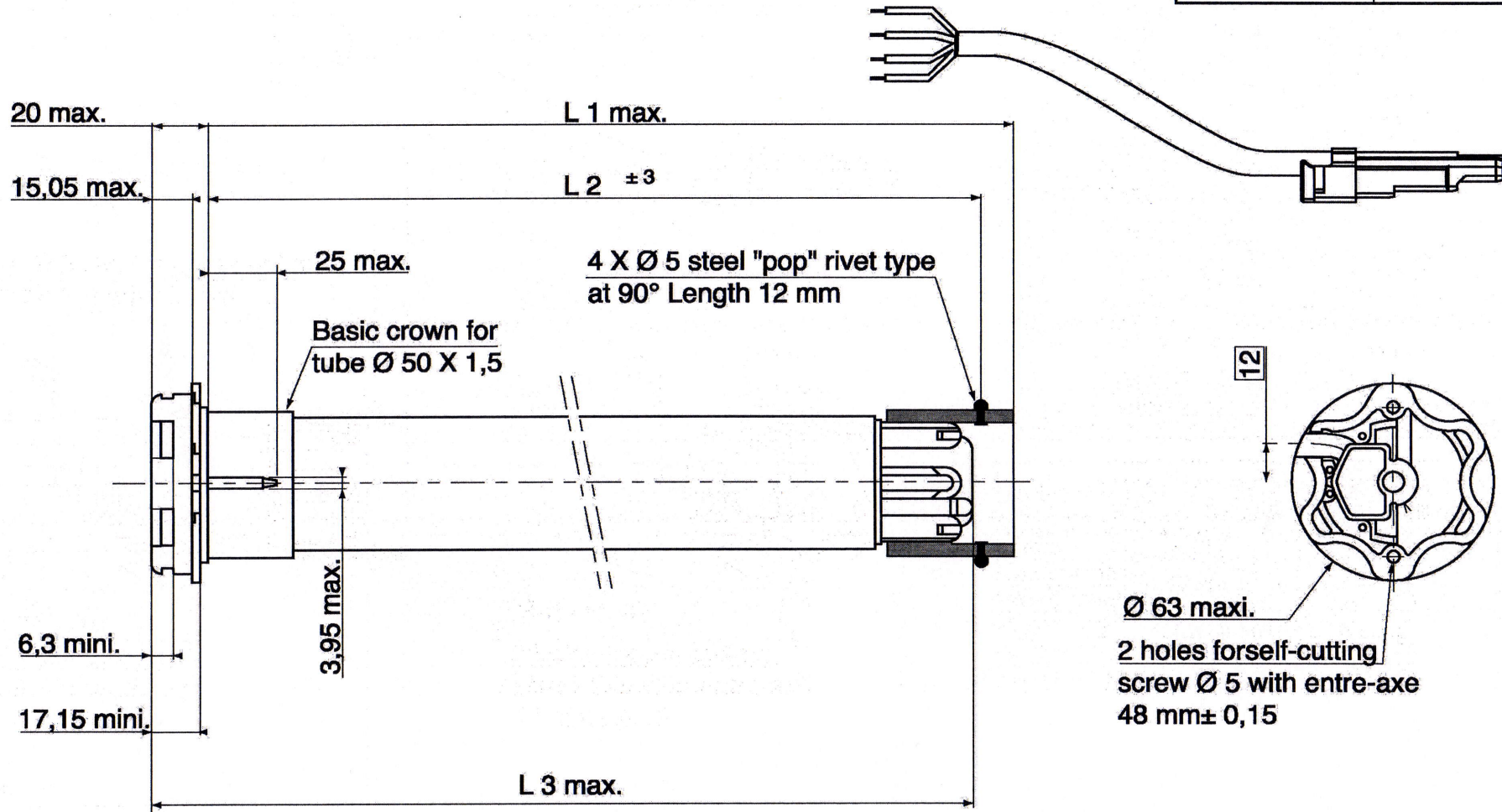
	17/11/2006 <span style="float: right;"><b>OXIMO WT TECHNICAL DATA</b></span>	DMKI - FPTE RANGE 1 OXIMO WT Range1
---	--	---

Nominal voltage	230 V - 50Hz
Power supply tolerances	207 - 253 V
Compatibility with switches & controls	Compatible with <b>locked switches</b> and automatism designed for motors ( <b>2 mutually locked outputs</b> ). Automatism should be based on <b>mechanical relays</b> (static relays & triacs may cause non fonctionning)
Thermal time	4 minutes for all motors
Number of wires of the cable	4
Wire section	0,75 mm <sup>2</sup>
Type of head	Star head
Type of limit switch unit	Electronic
Type of adjusting of the end limits	Automatic - Half automatic - Manual setting- From switch or setting tool
Capacity of the LSU	250 turns limited to 3 minutes of rotation w/o STOP
Repeatability	<± 4°
System of protection	IP 44
Interface drawing	Screw implantation for LT50 mounting 206810-Wheel interface LT50 206821-Crown interface LT50 206822- Interface drawing star head LT50 and LT50PA/PS 206823-
End product protection	At the up and down direction
Accessories compatibility	ABS wheel: Compatible - Differential: Not compatible - Double insulation accesories : Compatible
Maximun time of functioning without stop	3 minutes
Basic crown for tube Ø	50 x 1,5 mm
Temperature working range	Normal use : -10°C to +40°C Exceptionnal use (20% of the life time not simultaneous) : -20°C to + 70°C
Noise level	According to SOMFY measures (for information only).Worse value : in load up direction during 10 seconds.

Designation	Nm		rpm	mm			W	A	°C	kg	dB		
	Nominal torque	Nominal speed	Reference	L1 max.	L2 (±3 mm)	L3 max.	tube	Rated power	Rated current	Thermal tripping	Brake type	Weight	Noise
OXIMO WT 6/17	6	17	5010963A	605	590	613	540	90	0,45	140	sliding	1,72	47
OXIMO WT 10/17	10	17	5010964A	655	640	663	590	120	0,5	140	sliding	1,85	47
OXIMO WT 15/17	15	17	5010965A	655	640	663	590	140	0,65	150	sliding	1,95	50
OXIMO WT 20/17	20	17	5010966A	655	640	663	590	160	0,75	150	sliding	2,15	53
OXIMO WT 30/17	30	17	5010967A	675	660	683	610	240	1,1	150	sliding	2,55	55
OXIMO WT 40/17	40	17	5010968A	745	730	753	680	270	1,2	140	coil brake	2,8	57

<b>somfy</b> <sup>®</sup>	17/11/2006	<b>OXIMO WT TECHNICAL DATA</b>	RANGE 1
---------------------------	------------	--------------------------------	---------

WIRING	Neutral	Blue
	Direction 1	Brown
	Direction 2	Black
	Earth	Green / Yellow



Visa :	DT <i>P. RAYOIRE</i>	Quality <i>M. ROGER</i>	Mkg <i>Chauagnat</i>
--------	----------------------	-------------------------	----------------------