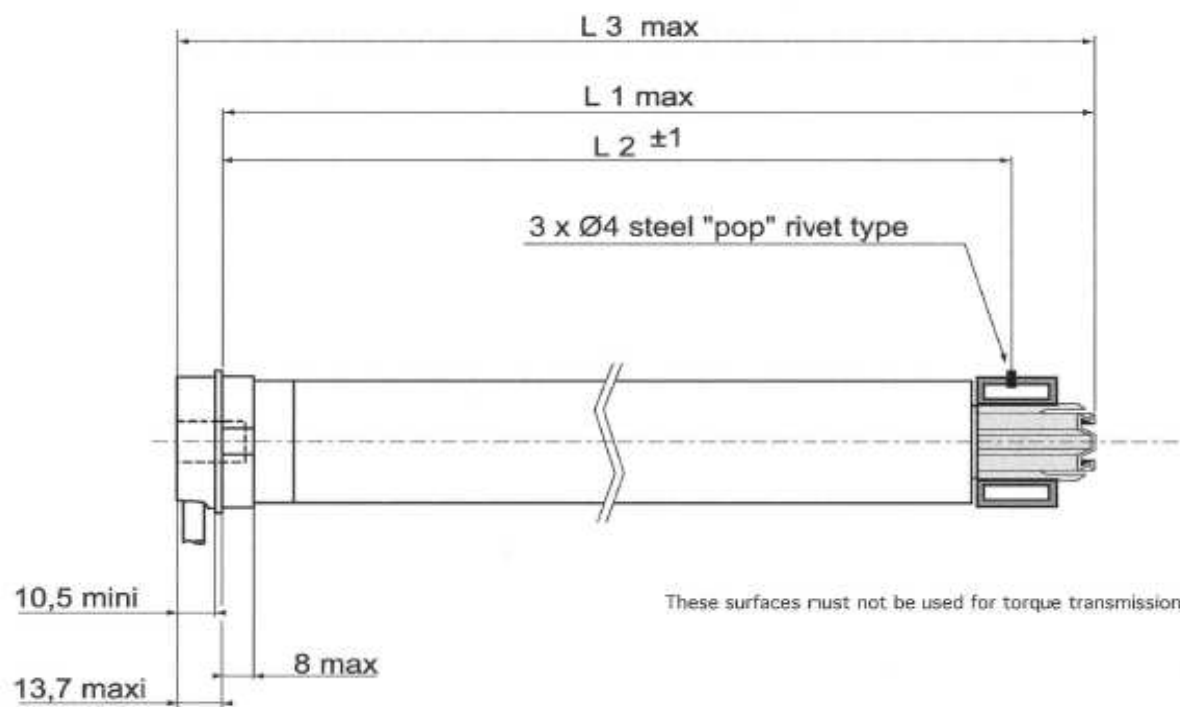


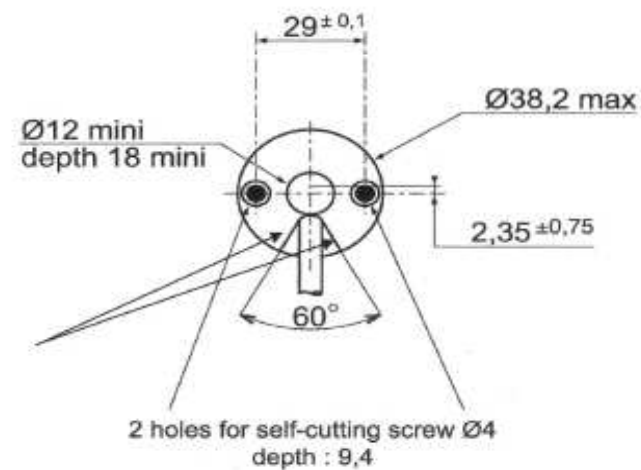
somfy [®]	13/09/2010	OXIMO 40 DC RTS	SDEV-CLU-IMPS 61R1
			SDEV- FICA 129 R0
			OXIMO 40 DC RTS

Type of head	Round head
Nominal voltage	12 V -
Power supply tolerances	
Thermal time	3 minutes --> 5 min maxi of use by the end-user , 3 min maxi of use in continu before cut by soft
Number of wires of the cable	3
Wire section	0,75 mm ²
Type of limit switch unit	Electronic
Repeatability	Stop always at the torque detection limit for nominal torque
System of protection	IP 44
Automatic readjustement of the end-limit position	every 56 cycles
Insulation class	
Type of adjusting of the end limits	Automatic ajustement dedicated to Roller shutter with rigid fasteners and stoppers
End product protection	In the up and down direction
Accessories compatibility	ABS wheel: Not Compatible - Differential: Not compatible - EMS : Not compatible
Frequency	433,42 MHz
Electrical safety	EN60335-1: 2002 + A11:2004 + A1:2004 + A12:2006 + A2:2006 / EN60335-2-97: 2006 / EN60950-1:2006
Health test	EN50371 : 2002 / EN50366 : 2003 + A1:2006
Electromagnetic compatibility	EN55014-1:2006 / EN55014-2:1997 + A1:2001 / EN301 489-1 V1.8.1 : 2008 / EN301 489-3 V1.4.1 : 2002 / EN61000-3-2 : 2006 / EN61000-3-3 : 1995 + A1:2001 + A2:2005
Radio	EN300220-1 V2.1.1 : 2006 / EN300220-2 V2.1.2 : 2007
Antenna	length: 170 mm
Maximun time of functioning without stop	2 minutes --> 3 min maxi of use in continu before cut by soft
Basic crown for tube Ø	
Temperature working range	Normal use : -20°C to +70° C
Noise level	According to SOMFY measures (for information only).Worse value : with load in up direction during 10 seconds.

Designation	Nm	rpm	Reference	mm	mm	mm	mm	W	A	°C	Thermal tripping	Brake type	kg	dBA	mm	µF
	Nominal torque	Nominal speed		L1 max.	L2 (±3 mm)	L3 max.	tube	Rated power	Rated current	Weight			Noise	Stator	Capacitor	
OXIMO 40 DC RTS 3/23 0.4M BLANC	3	23	5060265A	457	433	470	398	17	1,4	without	magnetic	0,8	68	without	without	
OXIMO 40 DC RTS 6/18 0.4M BLANC	6	18	5060266A	457	433	470	398	24	2	without	magnetic	0,8	70	without	without	
OXIMO 40 DC RTS 10/12 0.4M BLANC	10	12	5060267A	457	433	470	398	32	2,6	without	magnetic	0,8	72	without	without	



These surfaces must not be used for torque transmission



Name Date	R&D	QUALITY	EDITOR