



OXIMO IO TECHNICAL DATA

DMKI - FPTE
RANGE 1
RANGE IR 0

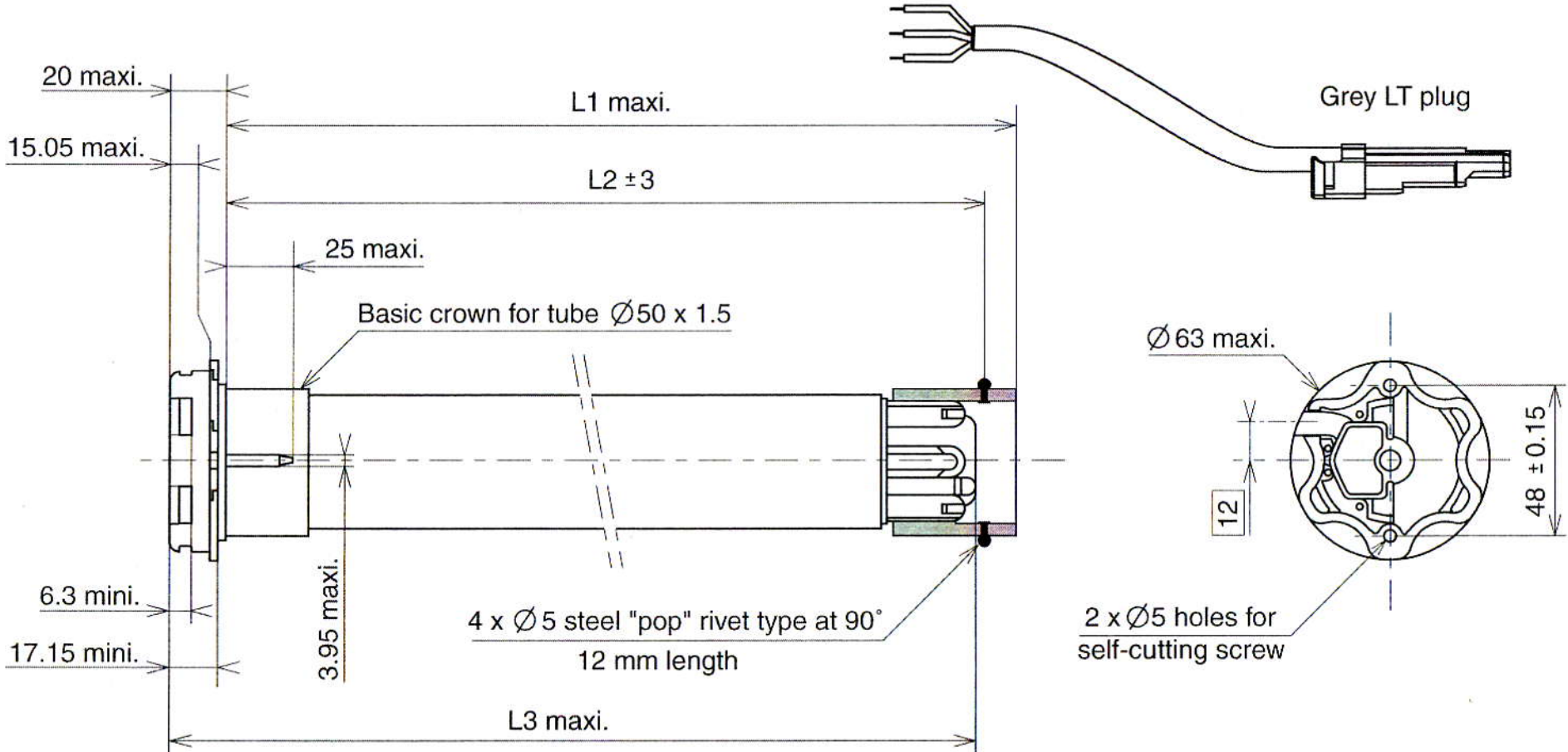
22-Mars-07 PAGE : 1/2




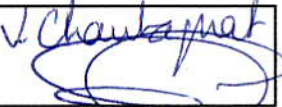
22-March-07

| | |
|-------------------------------|---|
| Nominal voltage | 230 V |
| Power supply tolerances | 207 - 253 V |
| Frequency | 50 Hz |
| Thermal time | 4 minutes for all motors |
| Number of wires of the cable | 3 |
| Wire section | 0,75 mm ² |
| Type of limit switch unit | Electronic |
| Capacity of the LSU | 136 turns |
| Repeatability | <± 5° |
| System of protection | IP 44 |
| Interface drawing | Screw implantation for LT50 mounting 206810-Wheel interface LT50 206821-Crown interface LT50 206822-Interface drawing star head LT50 and LT50PA/PS 206823- |
| Coding | Rolling code – 16 million of possibilities |
| Memory capacity | 9 different 1W |
| Range | 20 m with 2 reinforced concrete walls to be passed through – if necessary, a beacon can be installed in order to satisfy this performance |
| End product protection | At the up and down direction |
| Accessories compatibility | ABS wheel: Compatible - Differential: Not compatible - Double insulation accessories : Compatible |
| Electromagnetic compatibility | CEI 1000-4-2 8 kV minimum CEI 1000-4-3 level III CEI 1000-4-4 level III <i>IETS 300-220 *</i> |
| Basic crown for tube Ø | 50 x 1,5 mm |
| Temperature working range | Normal use : -10°C to +40°C Exceptionnal use (20% of the life time not simultaneous) : -20°C to + 70°C |
| Noise level | According to SOMFY measures (for information only).Worse value : in load up direction during 10 seconds. |

| Designation | Nominal torque (Nm) | Nominal speed (rpm) | Reference | L1 (mm) | L2 (mm) | L3 (mm) | Tube (mm) | Rated power (W) | Rated current (A) | Thermal tripping (°C) | Brake type | Weight (kg) | Noise (dBA) | Stator (mm) | Capacitor (µf) |
|-------------------|---------------------|---------------------|-----------|---------|---------|---------|-----------|-----------------|-------------------|-----------------------|------------|-------------|-------------|-------------|----------------|
| OXIMO IO 6/17 LTH | 6 | 17 | 5046934A | 675 | 660 | 683 | 610 | 240 | 1,1 | 150 | sliding | 2,55 | 55 | 100 | 7 |
| OXIMO IO 6/17 | 6 | 17 | 5046933A | 605 | 590 | 613 | 540 | 90 | 0,45 | 140 | sliding | 1,72 | 47 | 35 | 2.5 |
| OXIMO IO 10/17 | 10 | 17 | 5046935A | 655 | 640 | 663 | 590 | 120 | 0,5 | 140 | sliding | 1,85 | 47 | 40 | 3.5 |
| OXIMO IO 15/17 | 15 | 17 | 5046936A | 655 | 640 | 663 | 590 | 140 | 0,65 | 150 | sliding | 1,95 | 50 | 55 | 4.5 |
| OXIMO IO 20/17 | 20 | 17 | 5046937A | 655 | 640 | 663 | 590 | 160 | 0,75 | 150 | sliding | 2,15 | 53 | 70 | 5.5 |
| OXIMO IO 30/17 | 30 | 17 | 5046938A | 675 | 660 | 683 | 610 | 240 | 1,1 | 150 | sliding | 2,55 | 55 | 100 | 7 |
| OXIMO IO 40/17 | 40 | 17 | 5046939A | 745 | 730 | 753 | 680 | 270 | 1,2 | 140 | Coil brake | 2,8 | 57 | 100 | 7 |

| | | |
|--------|---------|----------------|
| WIRING | Neutral | Blue |
| | Live | Brown |
| | Earth | Green / Yellow |



| | | | |
|--|--|---|---|
| Visa :  | DT  | Quality JC DROUOT  | Marketing J. Chantepierre  |
|--|--|---|---|