



21/11/2001

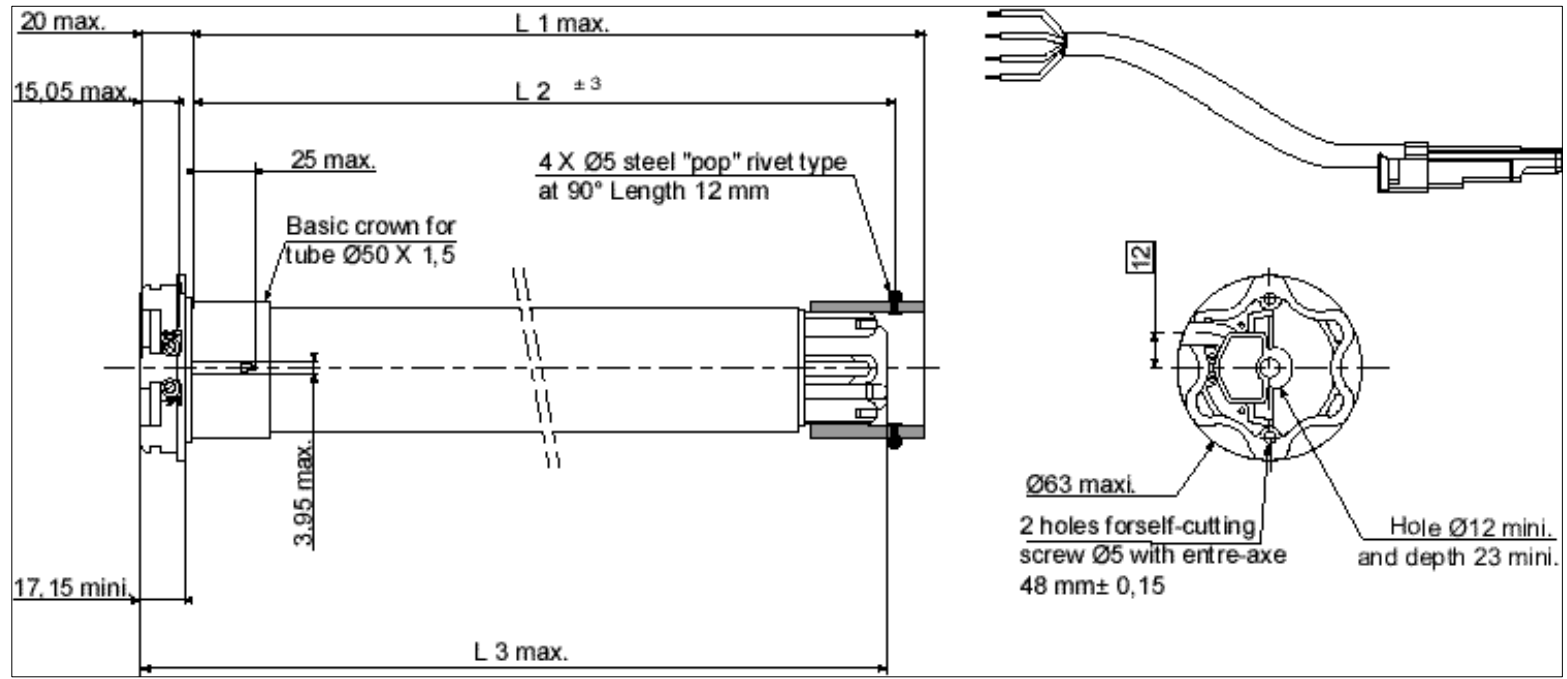
SOLUS PA TECHNICAL DATA

DMKI - FPTE
RANGE 1
SOLUSPARange1R0

Nominal voltage	230 V - 50 Hz
Power supply tolerances	207 - 244V
Thermal time	4 minutes
Number of wires of the cable	4
Wire section	0,75 mm ²
Wire length	VVF 2,5 M
Type of limit switch unit	Progressive limit switch
Capacity of the LSU	29 turns
Repeatability	± 8°
System of protection	IP 44
Interface drawings	Screw implantation for LT50 mounting 206810-Wheel interface LT50 206821-Crown interface LT50 206822-Interface drawing star head LT50PA/PS 206823-Interface drawing LT50/60 PA buttons 206863.
Basic crown for tube Ø	50 x 1,5 mm
Temperature working range	Normal use : -10°C to +40°C Exceptionnal use (20% of the life time not continuous) : -25°C to + 70°C
Noise level	According to SOMFY measures (for information only).Worse value : in load up direction during 10 seconds.

Designation	Nm		rpm		mm		mm		W		A		°C		kg		dBA	
	Nominal torque	Nominal speed	reference	L1 max.	L2 (±3 mm)	L3 max.	tube	Rated power	Rated current	Thermal tripping	Brake type	Weight	Noise					
SOLUS 10 PA	10	12	200235	505	490	513	440	90	0,45	140	sliding	1,66	47					
SOLUS 20 PA	20	12	200237	525	510	533	460	140	0,65	150	sliding	2,05	53					
SOLUS 30 PA	30	12	200239	555	540	563	490	160	0,75	150	sliding	2,165	55					
SOLUS 40 PA	40	12	200299	605	590	613	540	240	1,1	150	sliding	2,49	55					

Neutral	White
White adjusting screw	Brown
Yellow adjusting screw	Black
Earth	Green / Yellow



Visa :	DT	Quality	GMD
--------	----	---------	-----