



14/09/2005

SOLUS 2 PA TECHNICAL DATA

DMKI - FPTE
RANGE 1
SOLUS2PARange1R0

Nominal voltage	230 V - 50 Hz
Power supply tolerances	207 - 253V
Thermal time	4 minutes
Number of wires of the cable	4
Wire section	0,75 mm ²
Wire lenght	VVF 2,5 M / Hirschmann 0,5 M / 0,3 M - Non removable cable
Type of limit switch unit	Progressive limit switch
Capacity of the LSU	29 turns
Repeatability	± 8°
System of protection	IP 44
Interface drawings	Screw implantation for LT50 mounting 206810-Wheel interface LT50 206821-Crown interface LT50 206822-Interface drawing star head LT50PA/PS 206823-Interface drawing LT50/60 PA buttons 206863.
Basic crown for tube Ø	50 x 1,5 mm
Temperature working range	Normal use : -10°C to +40°C Exceptionnall use (20% of the life time not continuous) : -25°C to + 70°C
Noise level	According to SOMFY measures (for information only).Worse value : in load up direction during 10 seconds.

Designation	Nm	rpm	reference	mm	mm	mm	mm	W	A	°C	Brake type	kg	dBa
	Nominal torque	Nominal speed		L1 max.	L2 (±3 mm)	L3 max.	tube	Rated power	Rated current	Thermal tripping		Weight	Noise
SOLUS 2 PA 6/12	6	12	5013321	505	490	513	440	90	0,35	140	sliding	1,66	47
SOLUS 2 PA 8/12	8	12	5013309	505	490	513	440	90	0,35	140	sliding	1,66	47
SOLUS 2 PA 10/12	10	12	5013316	505	490	513	440	90	0,45	140	sliding	1,66	47
SOLUS 2 PA 15/12	15	12	5013320	525	510	533	460	120	0,45	140	sliding	1,925	53
SOLUS 2 PA 20/12	20	12	5013308	525	510	533	460	140	0,65	150	sliding	2,05	53
SOLUS 2 PA 30/12	30	12	5013313	555	540	563	490	160	0,75	150	sliding	2,165	55
SOLUS 2 PA 40/12	40	12	5013318	605	590	613	540	240	1,1	150	sliding	2,49	55

SOLUS 2 PA 10/12 Hirschmann	10	12	5013312	505	490	513	440	90	0,45	140	sliding	1,66	47
SOLUS 2 PA 15/12 Hirschmann	15	12	5013319	525	510	533	460	120	0,45	140	sliding	1,925	53
SOLUS 2 PA 20/12 Hirschmann	20	12	5013311	525	510	533	460	140	0,65	150	sliding	2,05	53
SOLUS 2 PA 30/12 Hirschmann	30	12	5013315	555	540	563	490	160	0,75	150	sliding	2,165	55
SOLUS 2 PA 40/12 Hirschmann	40	12	5013317	605	590	613	540	240	1,1	150	sliding	2,49	55

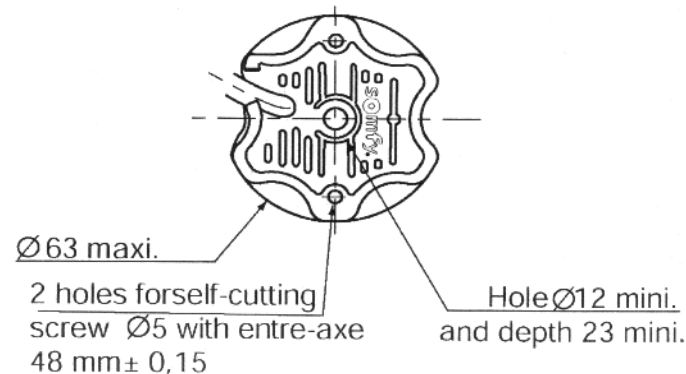
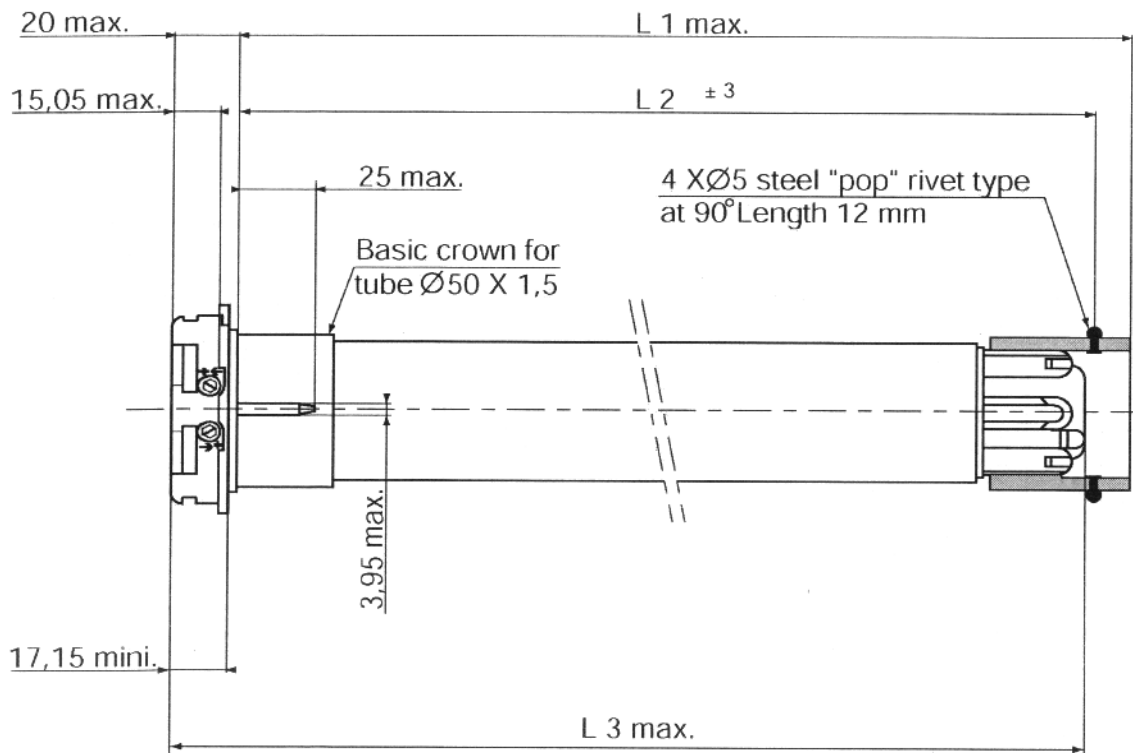
somfy [®]	14/09/2005	SOLUS 2 PA TECHNICAL DATA	RANGE 1
---------------------------	------------	----------------------------------	----------------



Hirschmann 0,5M	
1	Blue
2	Black
3	Brown

Hirschmann 0,3M	
1	Brown
2	Blue
3	Black

Neutral	Blue
White adjusting screw	Brown
Yellow adjusting screw	Black
Earth	Green / Yellow



Visa :	DT P. MERCIER	Quality	GMB
--------	---------------	---------	-----