



# TECHNICAL DATA SHEET

02 - 12 - 2009

SDEV-FICA 59

<b>Designation</b>	<b>Wind facade sensor io</b>
<b>Reference</b>	<b>1816084</b>
<b>Range</b>	<b>YeSseo</b>

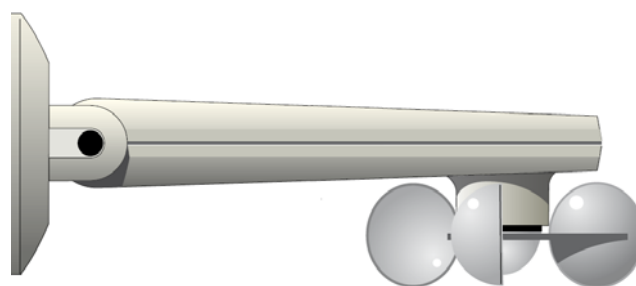
## FUNCTIONS

Wind measurement

- Protection of the Awnings, Screens, EVBs
- Wireless sensor powered on batteries

Possibilities of advanced functionalities with Easy Sun io & sensor box io

- 1 threshold per application (Awning, Screen, EVBs)
- From a distance, threshold setting
- From a distance, Batteries status
- From a distance, Breakdown status



## TECHNICAL SPECIFICATIONS

Box	Material	ABS
	Color	light grey
	Size	216 x 95 x 95 mm
	Protection factor against solid & splashproof	IP 44
Battery	Type	LR06 / AA
	Number	x2
Battery lifetime (at ambient temperature in typical conditions)		5 years
Radio frequency		868.25MHz/868.95 MHz /869.85 MHz
Radiated power		+10 dBm
Modulation type		FSK dev. +/-19.2KHz
Protocol		io homecontrol
Antenna		Integral
Temperature range	Storing	-30°C / +80°C
	Working	-20°C / +60°C
Drop test		1 (height : 2m)
Measurement		10 to 65 km/h
Number of thresholds (and values)		9 (10/15/20/25/30/35/ 45/55/65 km/h)
Default threshold (and value)		3rd (20 km/h)
Wind max resistance		120 km/h
Bird resistance		1500g
Weight		200g

Standard (CE)

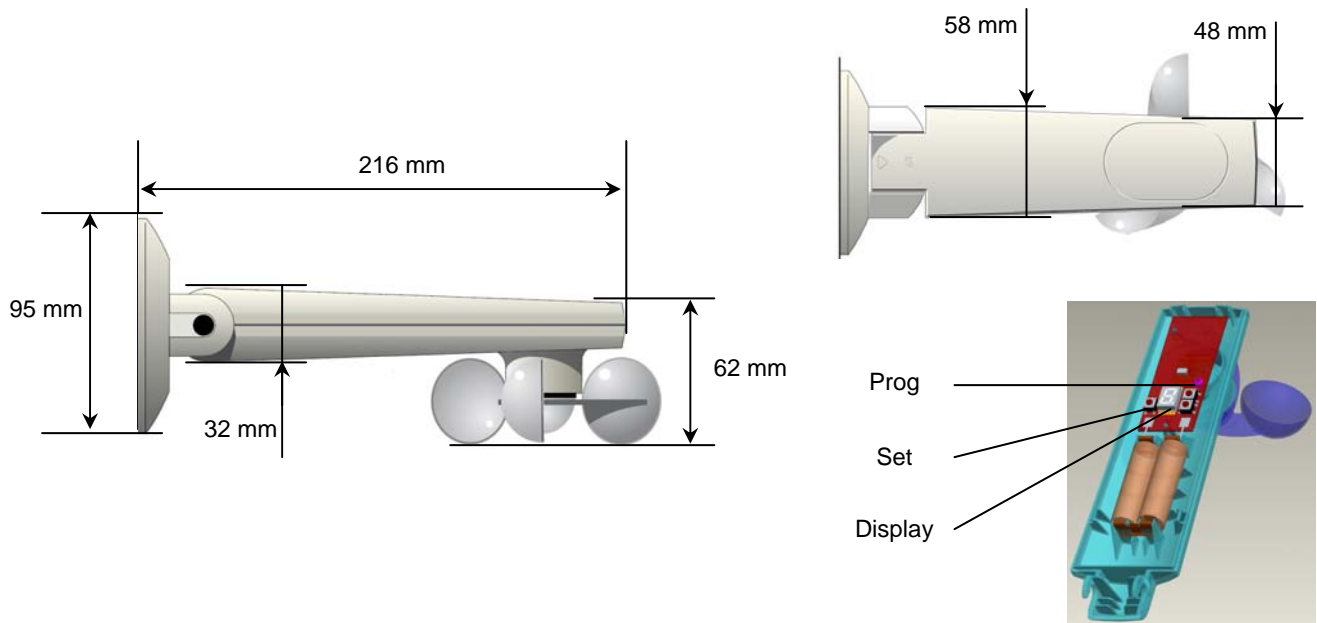
Safety of the user : EN EN60950-1 : 2006

Health of the user : EN50371 : 2002

Electromagnetic compatibility : EN61000-6-1: 2007\_EN61000-6-3 : 2007\_EN301 489-3 V1.4.1 : 2002\_EN301 489-1 V1.8.1 : 2008

Radio Spectrum : EN300220-2 V2.1.2 : 2007\_EN300220-1 V2.1.1 : 2006

## DESCRIPTION



## COMPATIBILITIES

### Actuators :

- Awnings (io homecontrol)
- Screens (io homecontrol)
- EVBs (io homecontrol)

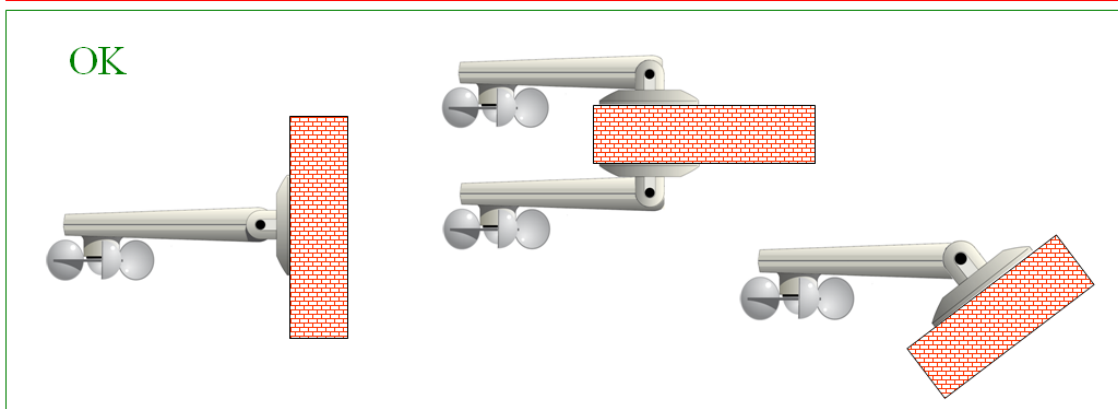
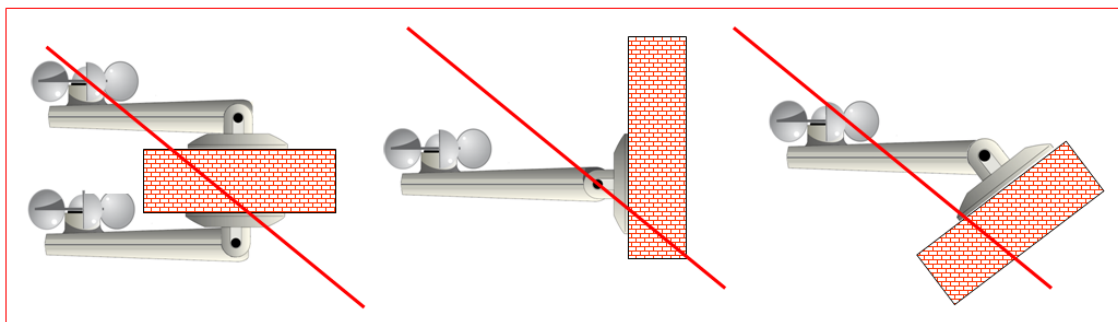
### Remote controls :

- Easy Sun io

### Others :

- Sensor box io

## INSTALLATION



BE - R&D

QUALITY

MARKETING