



somfy.

# TECHNICAL DATA SHEET

09 - 12 - 2009

SDEV-FICA 64

<b>Designation</b>	<b>Sensor box io</b>
<b>Reference</b>	<b>le pack 1820003 / Sunis wirefree io seul 1818245 / sensor box io seule 1818246</b>
<b>Range</b>	<b>YeSseo</b>

## FUNCTIONS

- Sensors data storing
- Automatic pairing by sensor controllers
- Sensor box status with LED
- Reset function
- 10 sensors capacity



## TECHNICAL SPECIFICATIONS

Box	Material Color Size Protection factor against solid & splashproof	ABS - PC Grey 100 x 50 x 78 mm IP 30
Supply	nominal Frequency	230 V~ 50 – 60Hz
Plug compatibility		Sockets C ; F ; E
Radio frequency		868.25MHz/868.95MHz /869.85MHz
Radiated power		+10 dBm
Modulation type		FSK dev. +/- 19.2KHz
Protocol		io homecontrol
Antenna		Integral
Temperature range	Storing Working	-30°C / +80°C 0°C / +60°C
Drop test		6 (height : 1,2m)
Cleaning products resistivity		products for glass (with alcohol) for various use
Weight		300g

Standard (CE)

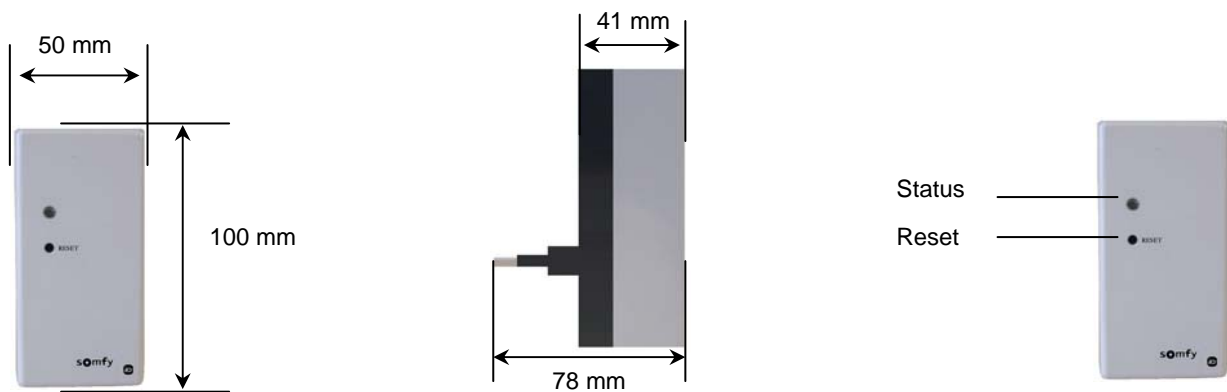
Safety of the user : EN EN60950-1 : 2006

Health of the user : EN50371 : 2002

Electromagnetic compatibility : EN61000-6-1: 2007\_EN61000-6-3 : 2007\_EN301 489-3 V1.4.1 : 2002\_EN301 489-1 V1.8.1 : 2008

Radio Spectrum : EN300220-2 V2.1.2 : 2007\_EN300220-1 V2.1.1 : 2006

## DESCRIPTION



## COMPATIBILITIES

### Sensors :

- All io homecontrol autonomous system sensors (Sunis wirefree io)
- Somfy local sensors (Eolis wirefree io)

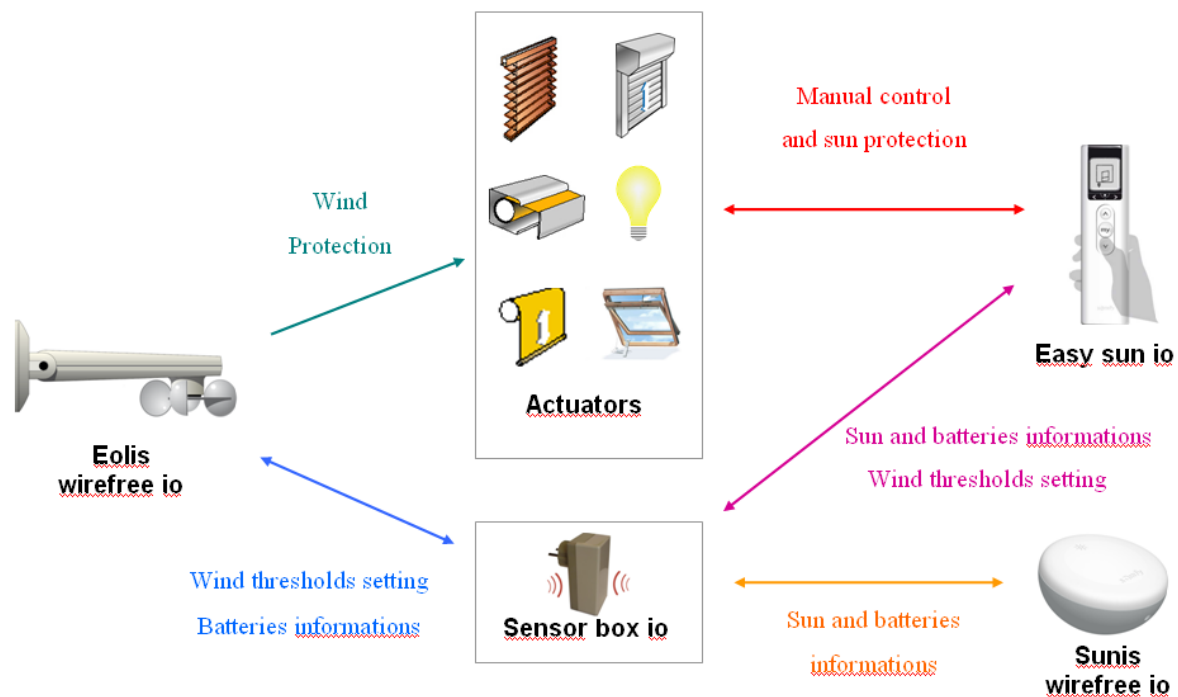
### Other :

- Repeaters

### Controllers :

- Easy Sun io (2009)

## INSTALLATION



BE – R&D

QUALITY

MARKETING