



03/06/2013

SUNEA 60 io TECHNICAL DATA MOTOR

TDST-CLU-IMPS 61R0

TDST- FICA 61 R0

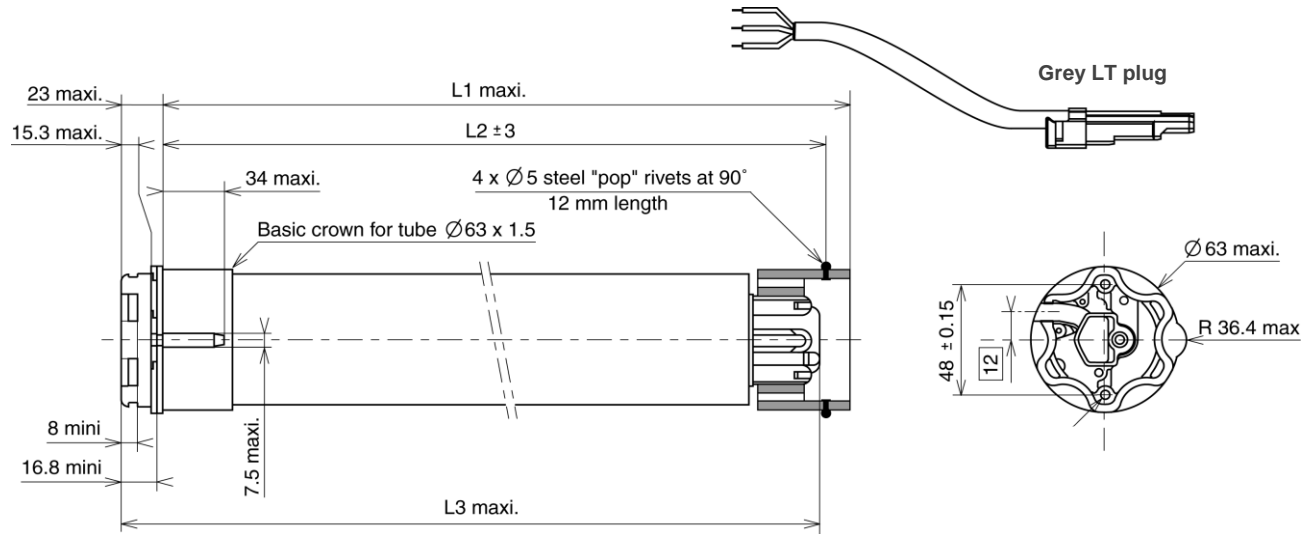
SUNEA 60 io Range 1

Type of head	Star Head
Nominal voltage	230 V - 50 Hz
Power supply tolerances	205-255 V AC (This motor doesn't work under 185V)
Thermal time	4 minutes
Number of wires of the cable	3
Wire section	0,75 mm ²
Type of limit switch unit	Electronic
Capacity of the LSU	184 turns
Repeatability	< ± 5°
System of protection	IP 44
Interface drawings	Wheel interface LT60 206801 - Crown interface LT60, LT60 ADF, FTS60 & LT60 CSI 206802 - interface drawing star head LT60 206803
Radio frequency	868-870 Mhz (tri band)
Coding	Code with a minimum of 2 ⁴⁸ possibilities
Capacity of memory	Maxi 9 for 1W transmitter - infinite for 2W transmitters
Antenna	Integrated
Range	20 m with 2 reinforced concrete walls to be passed through Possibility to enhance radio range thanks to a Repeater
R&TTE (Radio Equipment and Telecommunications Terminal Equipment Directive)	http://www.somfy.com/ce/index.cfm
Safety Security	http://www.somfy.com/ce/index.cfm
Electromagnetic compatibility	http://www.somfy.com/ce/index.cfm
Radio frequency	http://www.somfy.com/ce/index.cfm
Principle	The principle of the Sunea io is to motorize both cassette and standard awning with the io-Homecontrol protocol
Basic crown for tube Ø	63 x 1,5 mm
Temperature working range	80% of life time between -10°C to +40°C 20% of life time between -20°C to +70°C

Designation	Nm	rpm	Reference	mm			W	A	kg	tube	°C	Brake type	Noise
	Nominal torque	Nominal speed		L1 max.	L2 (±3 mm)	L3 max.	Rated power	Rated current	Weight		Thermal tripping		
SUNEA 60 io 55/17	55	17	5063124	734	717	740	290	1,5	4,18	670	130	sliding	64
SUNEA 60 io 70/17	70	17	5063125	734	717	740	350	1,9	4,5	670	130	sliding	66
SUNEA 60 io 85/17	85	17	5063126	734	717	740	400	2,1	4,7	670	140*	sliding	66
SUNEA 60 io 100/12	100	12	5063127	734	717	740	350	1,9	4,82	670	130	sliding	65
SUNEA 60 io 120/12	120	12	5063128	734	717	740	400	2,1	5,03	670	140*	sliding	65

* Non resetable thermal protector

Neutral	Blue
Live	Brown
Earth	Green / Yellow



Name Date	R&D	QUALITY	EDITOR
	B. Chauvet	C. Belin	E. Guillemot