



9/04/10

SUNILUS 50 io TECHNICAL DATA MOTOR

SDEV-CLU-IMPS 61R0

SDEV- FICA 91 R0

SUNILUS 50 io Range 1

Type of head	Star Head
Nominal voltage	230 V - 50 Hz
Power supply tolerances	205-255 V AC (This motor doesn't work under 185V)
Thermal time	4 minutes
Number of wires of the cable	3
Wire section	0,75 mm ²
Type of limit switch unit	Electronic
Capacity of the LSU	241 turns
Repeatability	< ± 5°
System of protection	IP 44
Interface drawings	Screw implantation for LT50 mounting 206810-Wheel interface LT50 206821-Crown interface LT50 206822-Interface drawing star head LT50 and LT50PA/PS 206823
Radio frequency	868-870 Mhz (tri band)
Coding	Code with a minimum of 2 ⁴⁸ possibilities
Capacity of memory	Maxi 9 for 1W transmitter - infinite for 2W transmitters
Antenna	Integrated
Range	20 m with 2 reinforced concrete walls to be passed through Possibility to enhance radio range thanks to a Repeater
R&TTE (Radio Equipement and Telecommunications Terminal Equipement Directive)	http://www.somfy.com/ce/index.cfm
Safety Security	http://www.somfy.com/ce/index.cfm
Electromagnetic compatibility	http://www.somfy.com/ce/index.cfm
Radio frequency	http://www.somfy.com/ce/index.cfm
Principle	The principle of the Sunilus io is to motorize standard awning with the io-Homecontrol protocol
Basic crown for tube Ø	50 x 1,5 mm
Temperature working range	80% of life time between -10°C to +40°C 20% of life time between -20°C to +70°C

	Nm	rpm		mm	mm	mm	W	A	kg	mm	°C		dBA
Designation	Nominal torque	Nominal speed	Reference	L1 max.	L2 (±3 mm)	L3 max.	Rated power	Rated current	Weight	tube	Thermal tripping	Brake type	Noise
SUNILUS 50 io 20/17	20	17	5065240	655	640	663	160	0,75	2,22	590	150	Sliding	53
SUNILUS 50 io 25/17	25	17	5065241	655	640	663	170	0,8	2,34	590	150	Sliding	56
SUNILUS 50 io 30/17	30	17	5065242	675	660	683	240	1,1	2,5	610	150	Sliding	55
SUNILUS 50 io 35/17	35	17	5065243	675	660	683	240	1,1	2,56	610	150	Sliding	56
SUNILUS 50 io 40/17	40	17	5065244	745	730	753	270	1,2	2,85	680	140	Coil brake	57
SUNILUS 50 io 50/12	50	12	5065245	675	660	683	240	1,1	2,585	610	150	Sliding	55



9/04/10

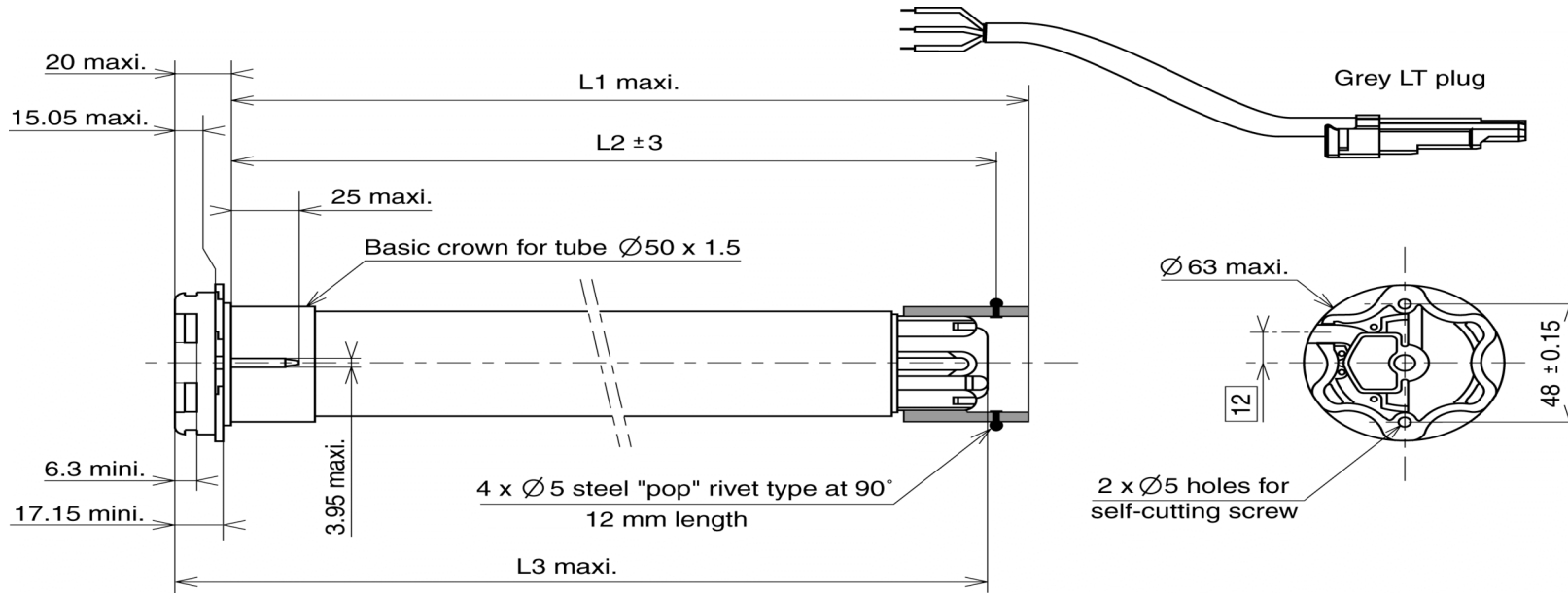
SUNILUS 50 io TECHNICAL DATA MOTOR

SDEV-CLU-IMPS 61R0

SDEV- FICA 91 R0

SUNILUS 50 io Range 1

Neutral	Blue
Live	Brown
Earth	Green / Yellow



Name
Date

R&D

B. Chauvet

QUALITY

C. Belin

EDITOR

E. Guillemot