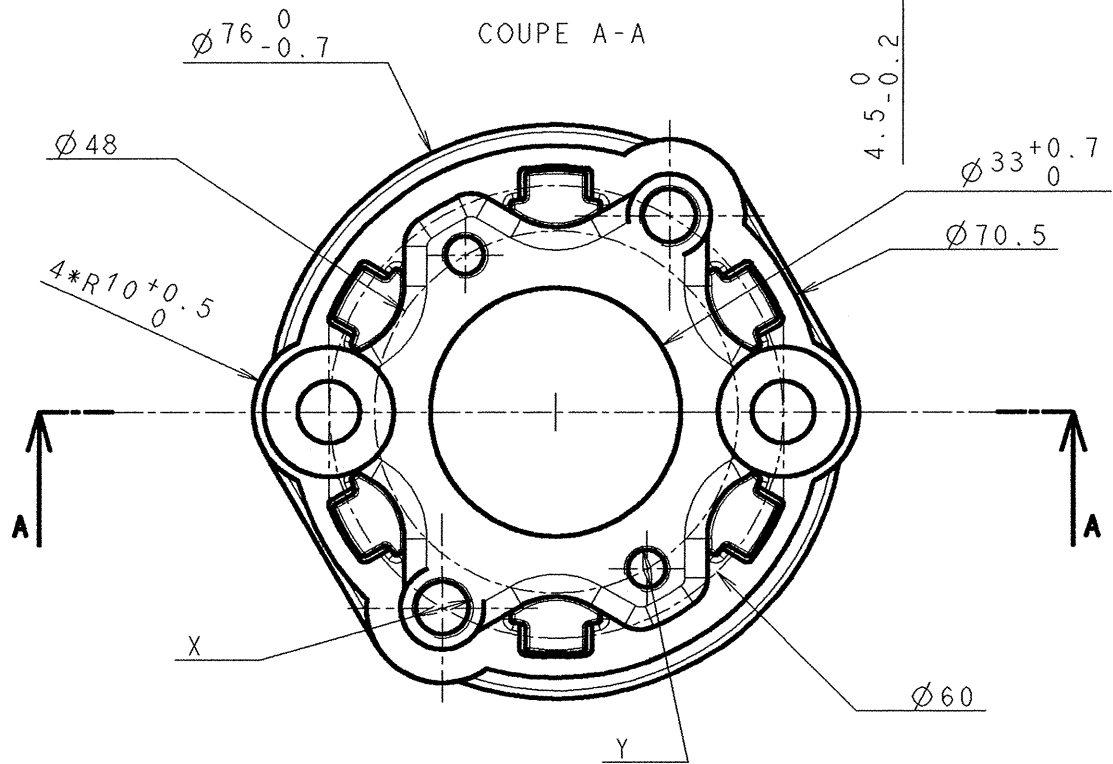
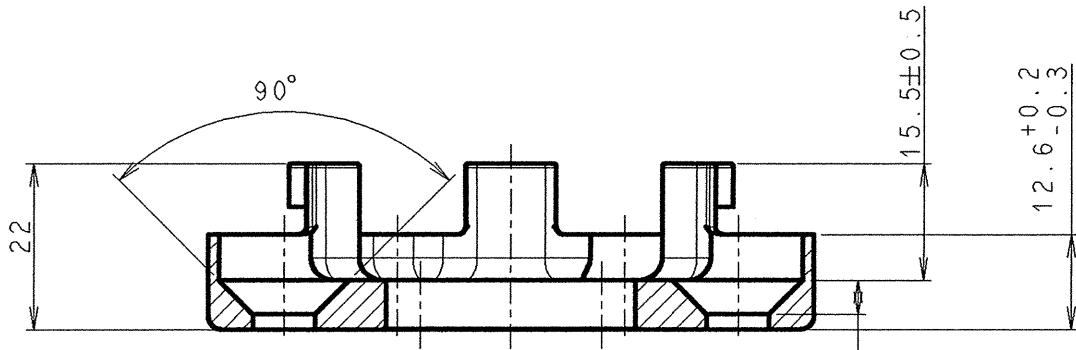


This drawing shall not be used, reproduced or passed on in any way, in full or in part, without SOMFY written approval. All rights reserved



X	Y	Désignation
M8	M6	Sup. Uni. taraudage M6 et M8
US 5/16	US 1/4	Sup. Uni. tarud. US 1/4 et 5/16

LE NUMERO INDIQUE SUR LE PLAN N'EST PAS LA REFERENCE COMMERCIALE
(THE NUMBER INDICATED ON THE DRAWING IS NOT THE CORRESPONDING COMMERCIAL REFERENCE NUMBER)

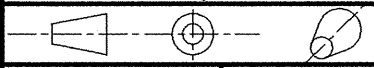
N° Etude: H605

MATERIAL:



GENERAL TOLERANCES AND GEOMETRIC TOLERANCES IN ACCORDANCE WITH SOM-DIRE 24(VI): Precision Courante Svt NF A 66-002

Drawing By: S. ANTHOINE date: 29-Mar-06
 Approved By: J. DULIZAZ date: 27-04-06



MODIF.	MODIFICATION DESCRIPTION	DATE	NAME

DESIGNATION: SUPPORT UNIVERSEL TARAUDE

Scale: 1 / 1 Ind. Ilink: X.00

N° : 5045764 A 00