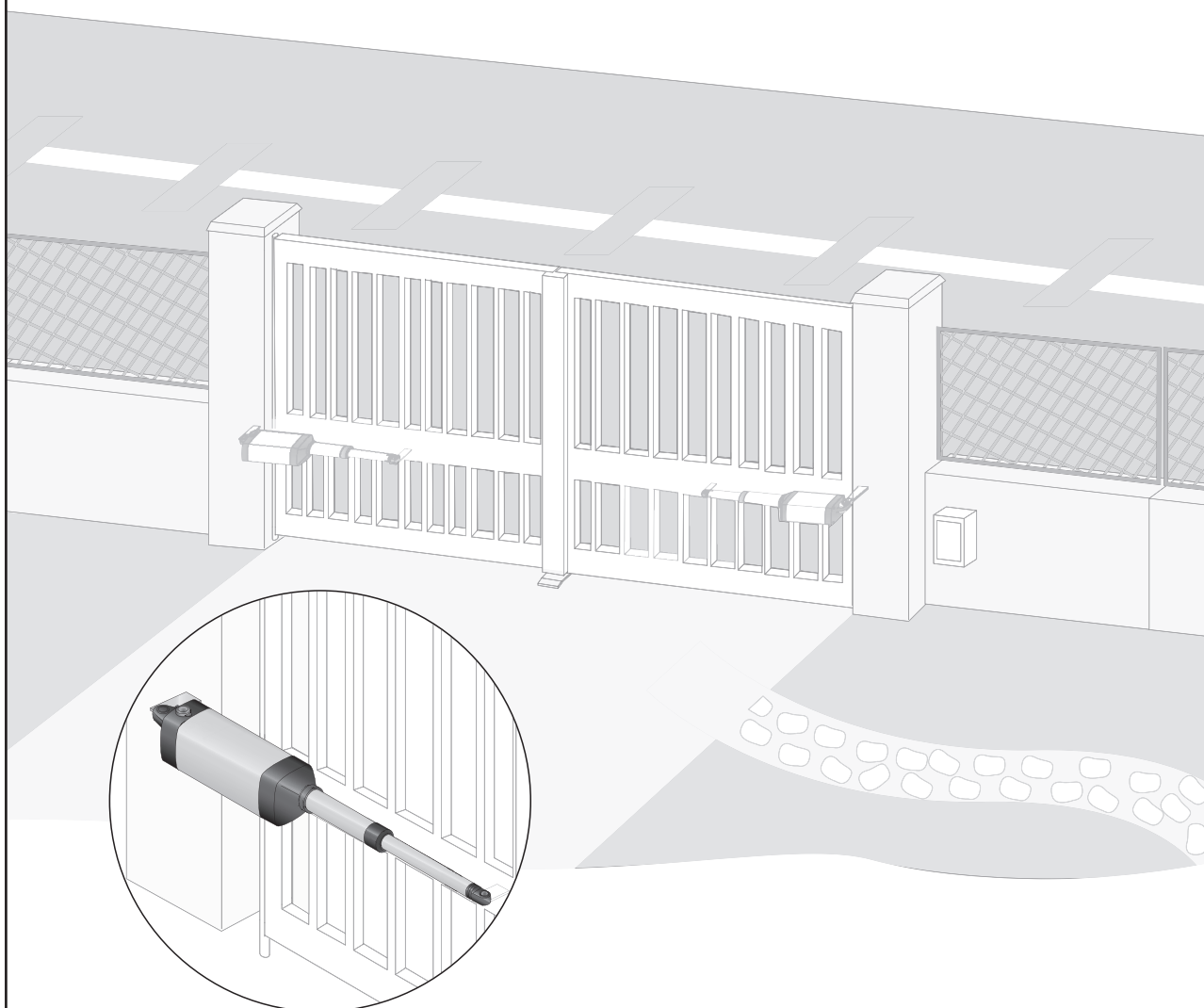


Ixengo S

- EN Installation manual
- ES Manual de instalación
- PT Manual de instalação
- EL Εγχειρίδιο εγκατάστασης



CONTENTS

GENERAL	2
SAFETY INSTRUCTIONS	2
Warning	2
Safety instructions	2
PRODUCT DESCRIPTION	3
Components	3
Dimensions	3
Application	4
POINTS TO CHECK PRIOR TO INSTALLATION	4
Preliminary checks	4
Safety instructions	4
INSTALLATION	5
Fitting the post mounting bracket	5
Fitting the gate section mounting bracket	6
Specific installations	7
Gate section limit stops on the ground	7
Electrical connections	7
ADJUSTING THE LIMIT STOPS - IXENGO S 24 V	8
Adjusting the FC1 closing limit stop	8
Adjusting the FC2 closing limit stop	8
OPERATING TEST	9
Opening the gate by hand	9
Checking operation	9
What do I do if the motor drive unit fails?	9
SPECIFICATIONS	9
NOTES	10

GENERAL

This product, installed in accordance with this guide, complies with EN 12453 and EN 13241-1 standards.

The instructions referred to in the product Installation and Operating manuals are intended to meet the requirements of property safety, personal safety and the above-mentioned standards.

Failure to comply with these instructions releases Somfy from any liability for damage that may be entailed.

We, Somfy, declare that this product is compliant with the essential requirements and other relevant stipulations of directive 1999/5/EC. A compliance declaration is available from the following address www.somfy.com/ce. (Ixengo_S)

This product can be used in the European Union and in Switzerland.

SAFETY INSTRUCTIONS

Warning

Important: Please comply with all instructions, for incorrect installation may cause serious injury.

Safety instructions

Before installing the motor drive system, make sure that the driven part is in good working order, that it is correctly balanced and that it opens and closes correctly.

Ensure that danger areas (where pinching, cutting, trapping may occur) between the driven parts and fixed surrounding parts due to the opening motion of the driven part are avoided.

Retain a clear 500 mm space behind each gate section when the gate is fully opened.

Any switch that does not lock into position (interphone, key switch, etc.) must be located in plain view of the driven part but away from the moving parts.

Any switch installed must be at a minimum height of 1.5 meters and not be accessible to the public, except if it works with a key.

Ensure that the motor drive system cannot be used with gate section including a wicket gate inhibiting motion (unless the motor drive cannot operate with the wicket gate open).

After installation, make sure that the mechanism is correctly adjusted and that the protection system and any manual release mechanism operate correctly.

Permanently affix the label describing the manual release mechanism close to its operating mechanism.

Wear protective glasses while performing drilling work.

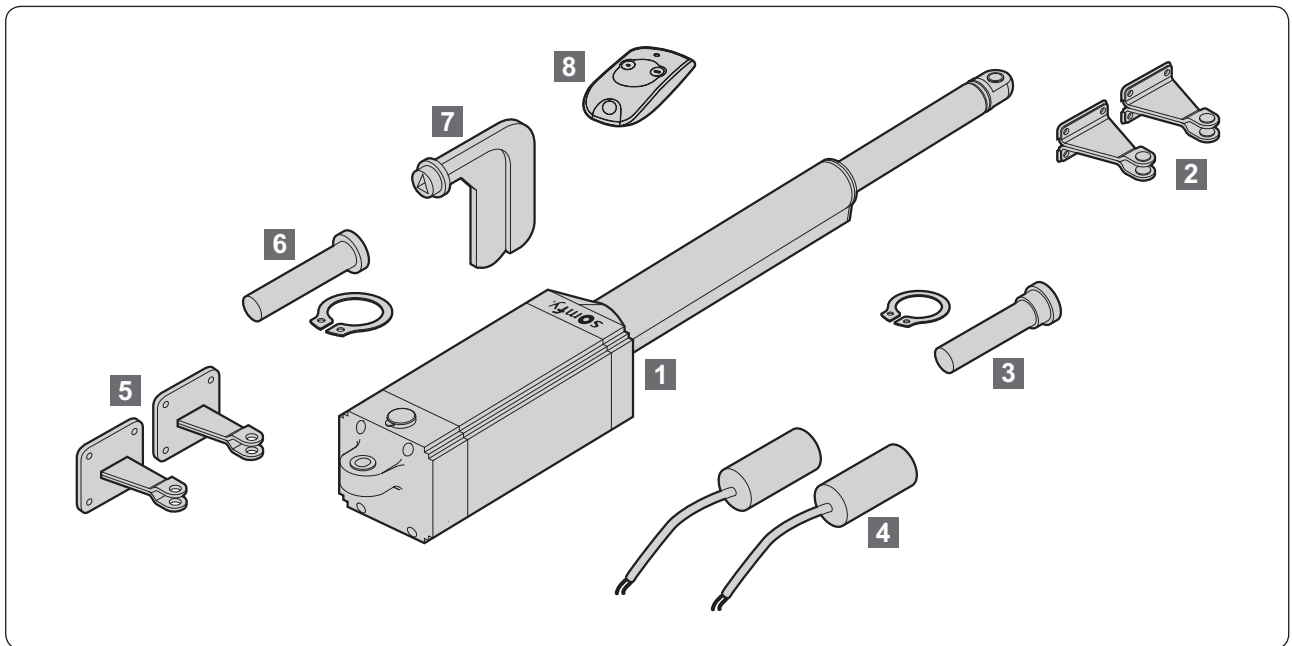
To operate, the Ixengo S system requires a 230 V - 50 Hz mains supply. The electric power line:

- must be solely reserved for use by the Ixengo S,
- must have a minimum wire cross section of 1.5 mm²,
- must be provided with protection (a 10 A fuse or circuit breaker) and a residual current device (30 mA),
- must be fitted with an omnipolar disconnection mechanism,
- must be installed in line with applicable electrical safety standards.

We recommend providing the installation with a surge arrester (in compliance with standard NF C 61740, with a maximum residual voltage of 2 kV).

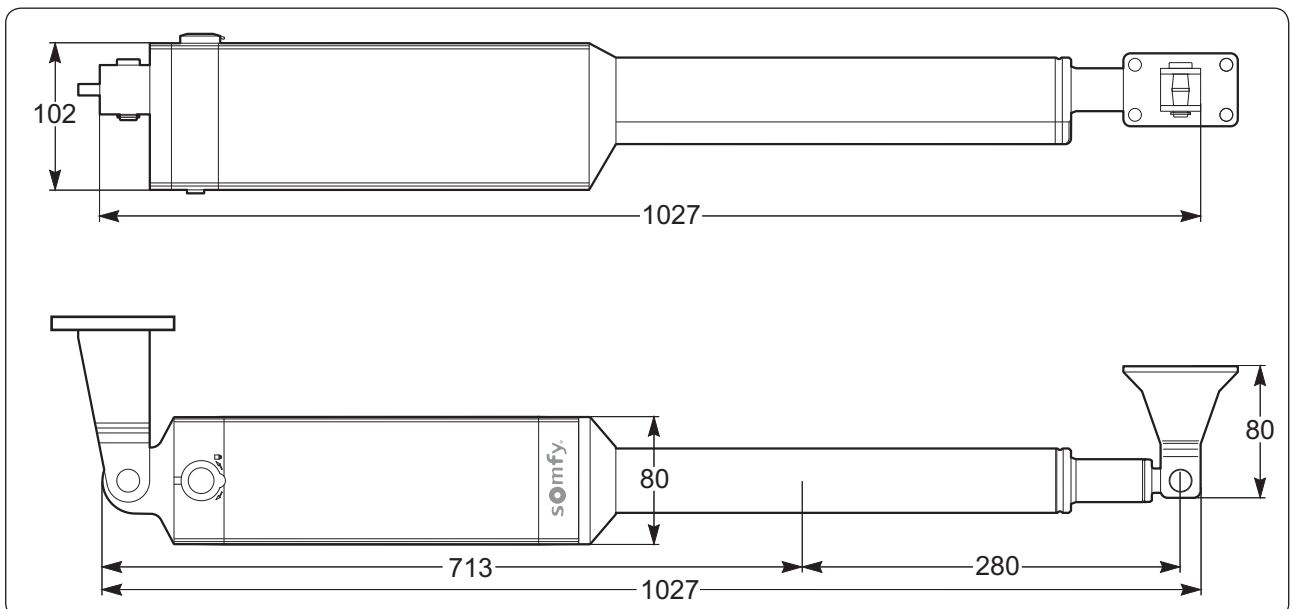
PRODUCT DESCRIPTION

Components

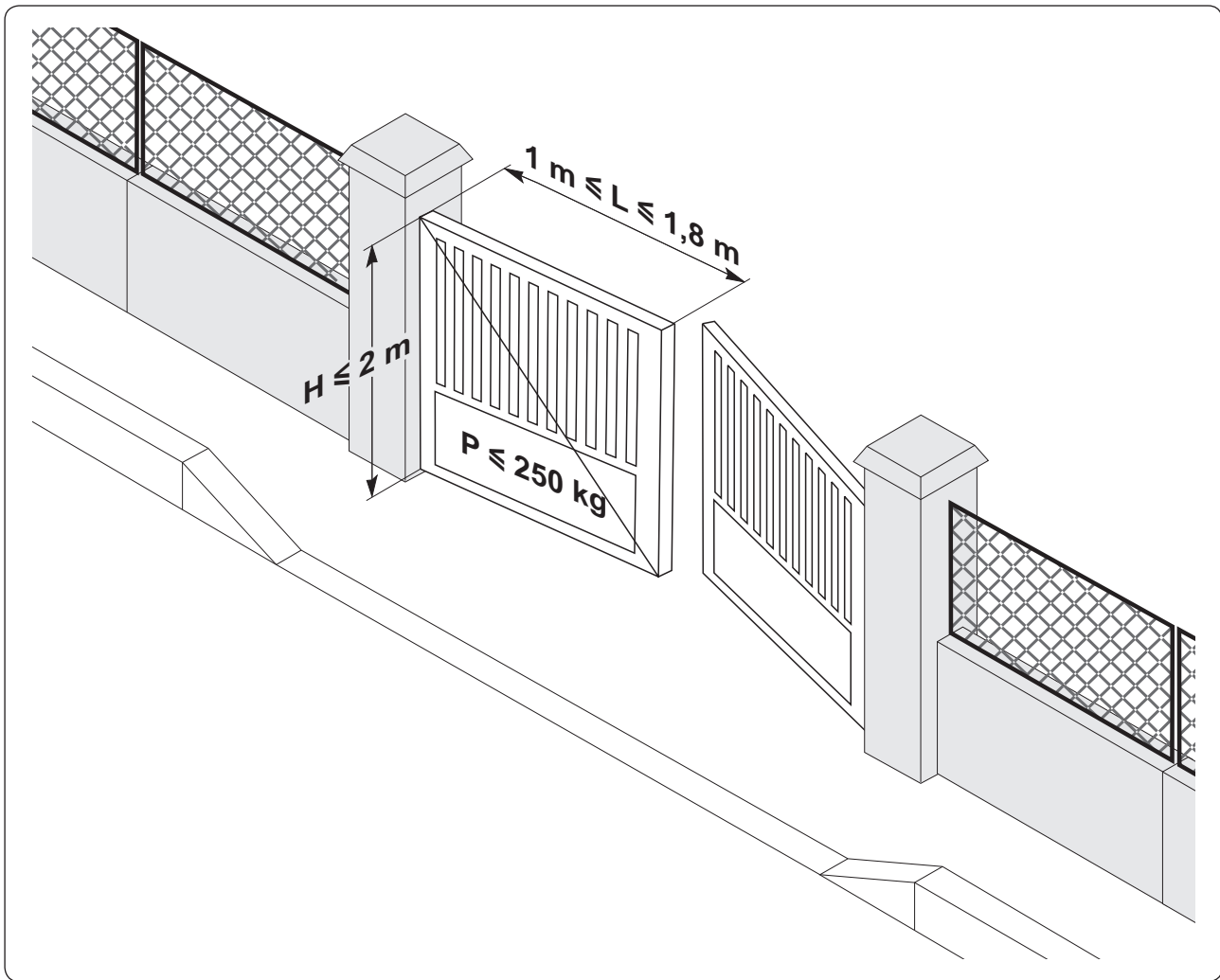


Key	Number	Description
1	2	Ixengo S motor unit
2	2	Gate mounting bracket
3	2	Motor/gate mounting bracket hinge pin + circlips
4	2	Capacitor (Ixengo S 230 V only)
5	2	Gate post mounting bracket
6	2	Motor/gate post mounting bracket hinge pin
7	1	Unlocking key
8	2	KEYTIS 2 NS RTS remote control

Dimensions



Application



POINTS TO CHECK PRIOR TO INSTALLATION

Preliminary checks

Ensure that the gate structure is strong enough. In all cases, the drive rod must push the gate section towards a reinforced point.

It must be possible to move the gate by hand without encountering any hard point. Check that the gate is in good condition and is perfectly balanced.

The gate section limit stops mounted on the ground must be provided for both the opening and closing directions. Somfy recommends installing gate open limit stops to improve the way the gate is held open.

For an existing gate, check component wear. If necessary, repair or replace faulty or worn parts.

If the gate does not include any reinforcing, use metal reinforcing plates when attaching brackets.

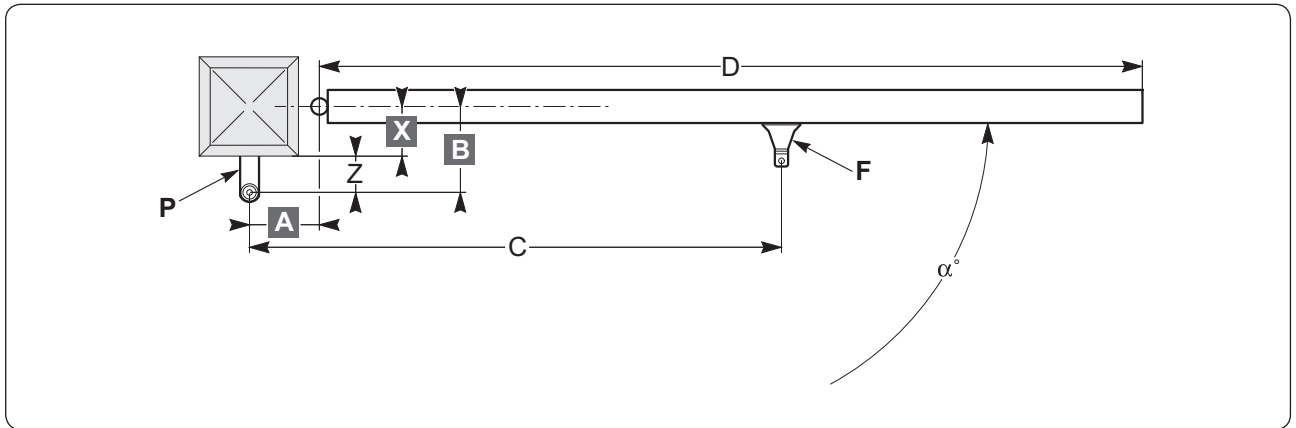
Safety instructions

Be sure to follow these safety instructions throughout installation:

- Take off any jewellery worn (bracelet, neck chain or other) during installation
- During drilling and welding operations, always wear special goggles and suitable protective clothing
- Always use proper tools
- Never connect to the mains power or the battery backup before finishing the assembly process.

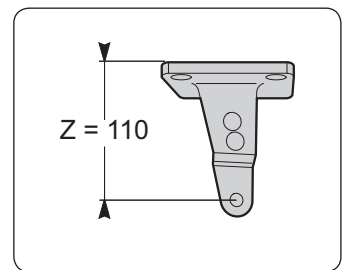
INSTALLATION

The figure below illustrates the dimensions to be defined for installation.



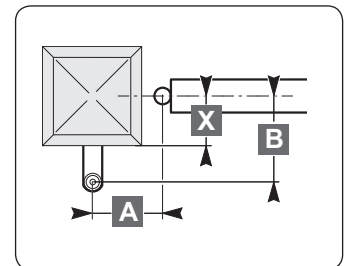
Key:

- A-B:** dimensions used to determine where to fit the post mounting bracket **P**
- C:** distance between mounts (recommended value: 993 mm)
- X:** distance from the gate centreline to the post edge
- Z:** distance between the post edge and the motor rotation centreline
- α° : gate opening angle
- P:** post mounting bracket
- D:** gate section length
- F:** gate section mounting bracket



Fitting the post mounting bracket

- Define the desired opening angle " α° ".
- Measure the **X** dimension on the gate.
- Calculate **B** = **Z** + **X** given that **Z** = 110 mm



- From the table, choose **A** and **B** dimensions that are close to identical so as to match the opening speed and ensure proper motor drive operation. If the chosen dimensions are too far apart, gate section motion will not be constant and the push or pull torque applied will vary during motion.

The table shows the optimum **A** and **B** values for an opening of $\alpha^\circ = 90^\circ$ at constant speed.

B \ A	100	110	120	130	140	150	160	170	180
100				119	109	103	98	94	91
110				112	105	98	94	91	
120			117	105	99	94	91		
130			107	99	94	90			
140		112	100	94	90				
150		102	94	90					
160	104	94	89						
170	95	89							
180	88								α°

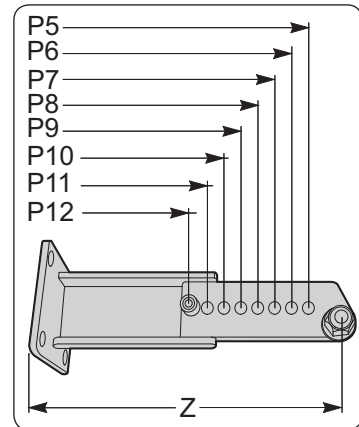
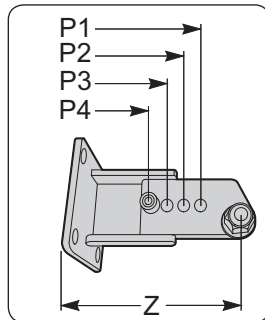
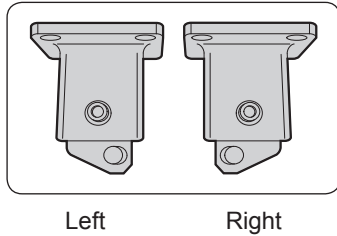
Values of "**A**" and "**B**" can be chosen from the table based on the desired degree of opening " α° ".

If dimension **B** is excessive:

- Use adjustable mounts (9014609 or 9014610) that allow setting the following four or eight values of Z (in cases where you need to reduce or increase the value of Z):

P1: Z = 77 mm	P5: Z = 150 mm	P9: Z = 215 mm	P11: Z = 235 mm
P2: Z = 90 mm	P6: Z = 165 mm	P10: Z = 225 mm	P12: Z = 250 mm
P3: Z = 110 mm	P7: Z = 190 mm		
P4: Z = 150 mm	P8: Z = 200 mm		

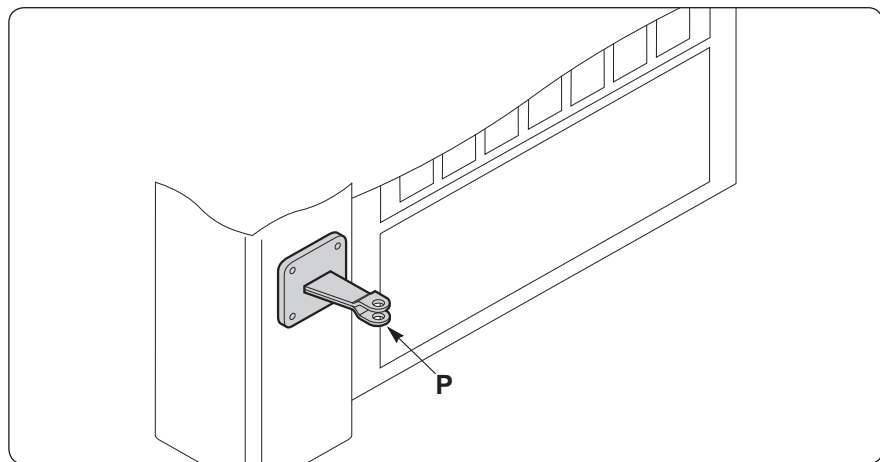
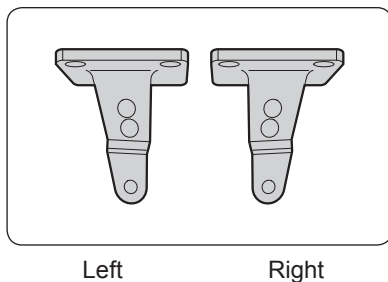
Adjustable mount installation position



- Or move the gate hinges so as to reduce distance **B** (refer to "Specific Installations").
- Attach the mounting bracket **P**.

! *Drill and bolt the mounting bracket to the post. Use a type of mounting that suits the post.*

Mount direction



Note: Use the large circlips to attach the mounting bracket **P**.

Example

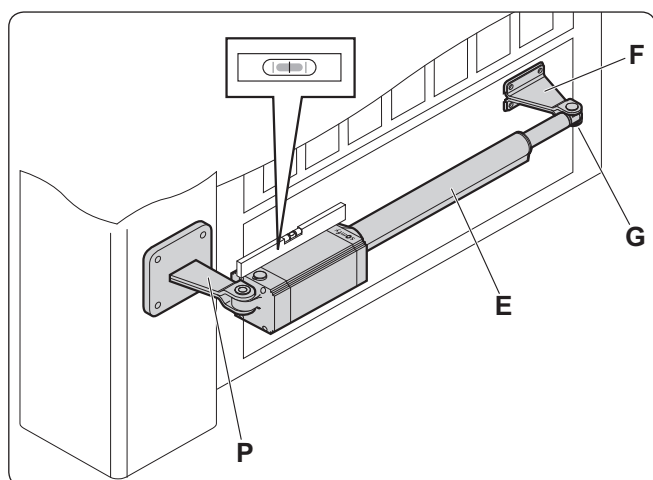
When the desired opening angle is 90°:

- Measure dimension **X** = 30 mm.
- Calculate dimension **B** = **X** + **Z** = 30 + 110 = 140 mm.
- Apply dimension **B** = 140 to the table and use a dimension **A** = 140 for a 90° opening.

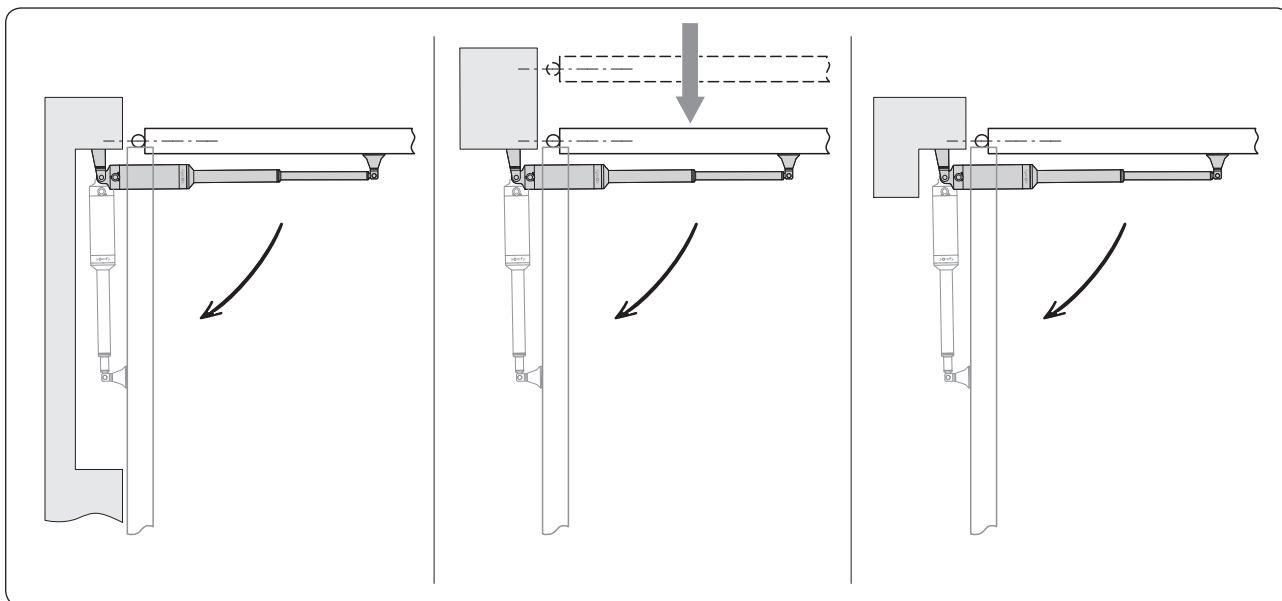
Fitting the gate section mounting bracket

Important: On the gate section, measure dimension **C** (993 mm), the length between the two mounting bracket centres. Mark the mounting axis for the gate section mounting bracket.

- [1] Release the motor drive unit **E**. Extend the drive rod till the end of its travel.
- [2] Temporarily fit the motor drive unit on its mount **P**.
- [3] Fit the gate section mounting bracket **F** onto the drive rod **E** with its pivot pin **G**.
- [4] Check that the motor drive unit **E** is horizontally aligned using a spirit level.
- [5] Attach the gate section mounting bracket **F**.



Specific installations

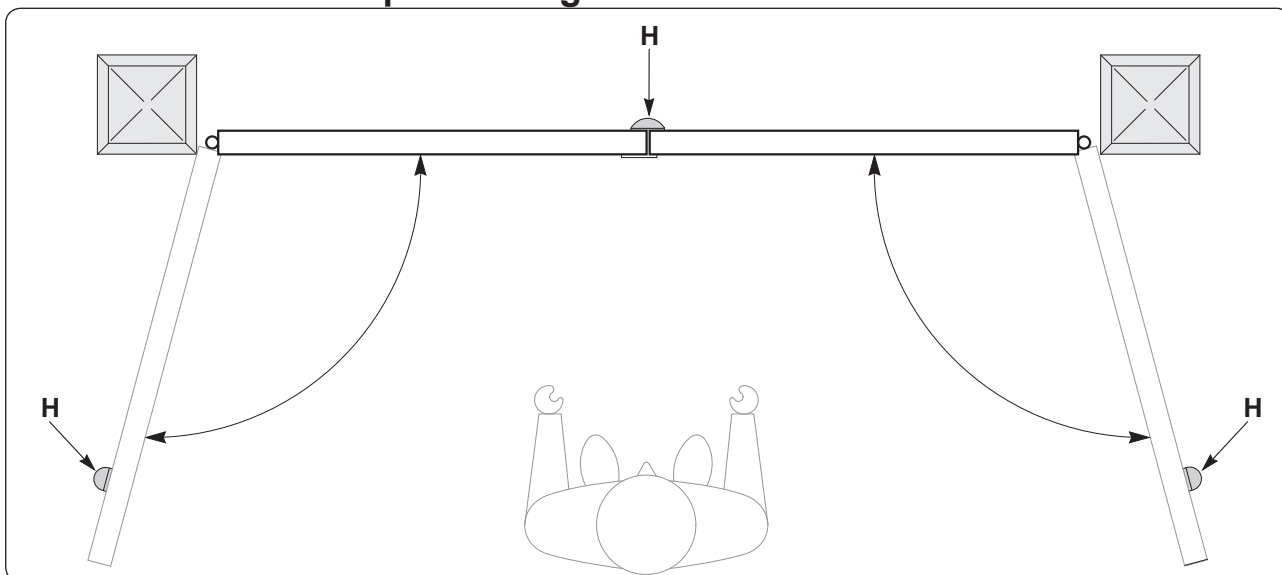


Installation with a niche in a fence

Moving the gate hinge

Installation with a niche in a gate post

Gate section limit stops on the ground

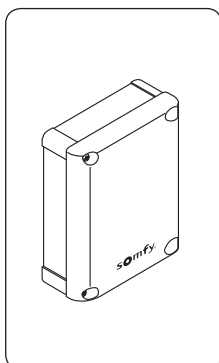


Check for the presence of the gate section limit stops **H** on the ground.

For the motor drive unit to operate correctly, using limit stops on the ground is required for both the opening and closing directions.

Electrical connections

Make the connections between the motor drive unit and the FX24 electronic controller for Ixengo S 24 V and FX 230 electronic controller for Ixengo S 230 V.



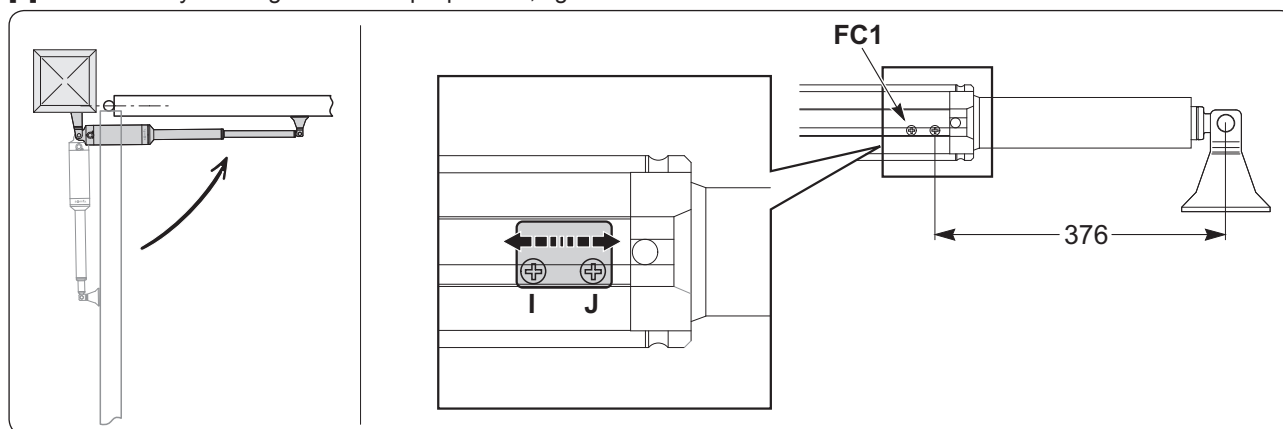
ADJUSTING THE LIMIT STOPS - IXENGO S 24 V

Adjust the limit stops by correctly positioning the end of travel magnets on the 24 V motor drive unit.

Important: For the 230 V motor drive unit, refer to the instructions on the FX 230 electronic controller and adjust the time that the motor operates.

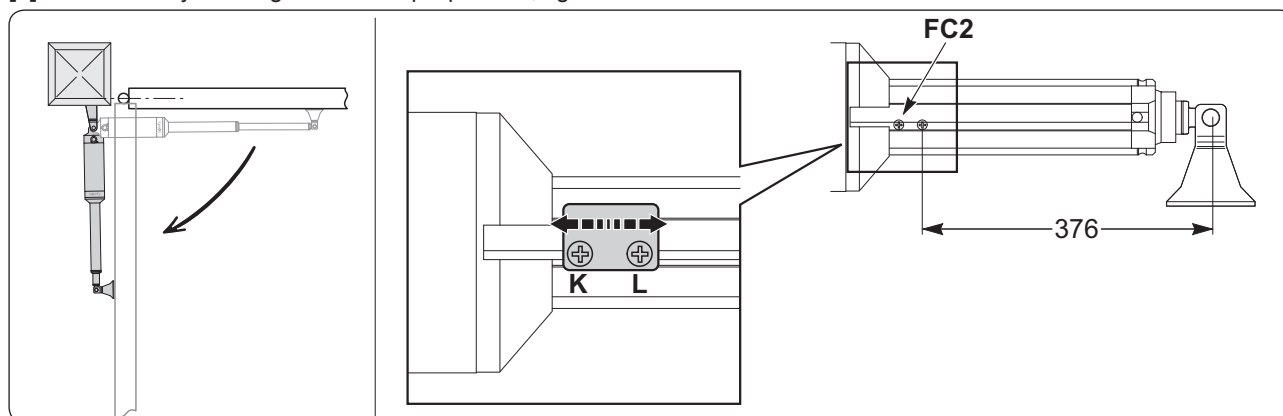
Adjusting the FC1 closing limit stop

- [1] Close the gate section.
- [2] Slacken screws **I** and **J** on the closing limit stop.
- [3] Move the limit stop so that the distance between screw **J** and the gate section mounting bracket axis is some 376 mm.
- [4] Close the gate.
- [5] If the gate section stops too soon in relation to the desired position, slightly move the limit stop towards the end of the drive rod.
- [6] If the gate section hits the limit stop on the ground when closing, and the motor drive unit reverses direction, then move the limit stop slightly towards the motor drive unit's body.
- [7] After correctly defining the limit stop's position, tighten down screws **I** and **J**.



Adjusting the FC2 opening limit stop

- [1] Open the gate section.
- [2] Slacken screws **K** and **L** on the opening limit stop.
- [3] Move the limit stop so that the distance between screw **L** and the gate section mounting bracket axis is some 376 mm.
- [4] Open the gate.
- [5] If the gate section stops too soon in relation to the desired position, slightly move the limit stop towards the motor drive unit's body.
- [6] If the gate section hits the limit stop on the ground when opening, and the motor drive unit reverses direction, then move the limit stop slightly towards the end of the drive rod.
- [7] After correctly defining the limit stop's position, tighten down screws **K** and **L**.



Note: When programming the electronic controller, always anticipate when the limit stops will take action. To properly press against the limit stops on the ground, the motor drive unit continues its movement for 1 or 2 cm (some 100 ms).

OPERATING TEST

Opening the gate by hand

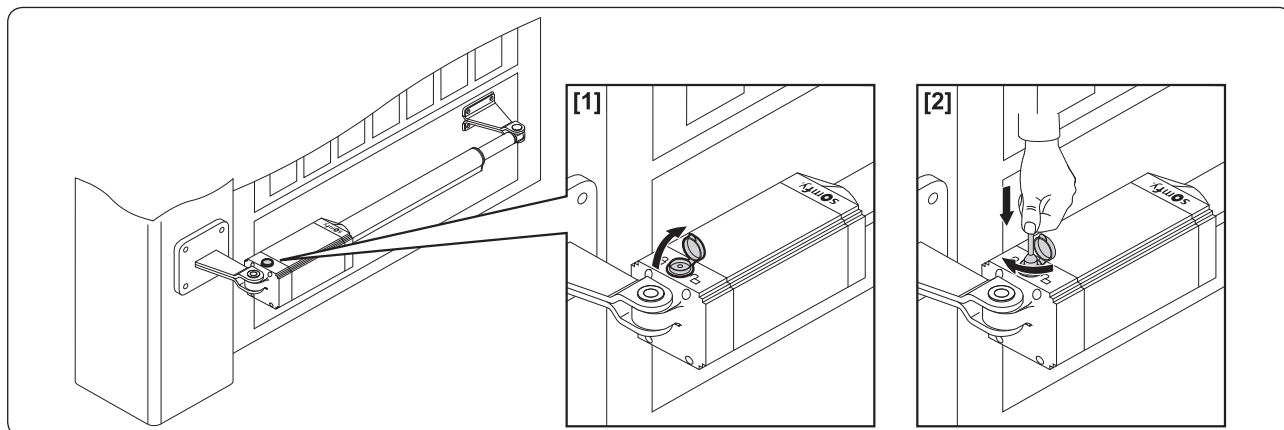
If necessary, the motor drive unit is provided with a release key so that the gate section can be moved by hand.

[1] After lifting the lock cover, insert the release key and turn it clockwise by 90°.

[2] Push the gate section by hand to open the gate.

[3] Turn the release key in the opposite direction to return to motor driven operation.

[4] Refit the lock cover.



Checking operation

Before starting up the motor drive unit:

- Check that all components are solidly mounted
- Check all safety mechanisms for correct operation
- Check the emergency operation control
- Check that the electronic controller is operating correctly.

What do I do if the motor drive unit fails?

- Use a suitable instrument to check for the presence of voltage on the ends of the motor reduction gear unit after an opening or closing operation.
- If the drive rod does not turn in the right direction, reverse the electrical operating connections on the motor reduction gear unit.
- If the gate reverses direction after opening or closing, this means that the limit stops have not been correctly set. Refer to the section called "Adjusting the limit stops" to refine the position of the limit stops.

SPECIFICATIONS

	24 V version	230 V version
Power supply	24 V DC	230 V AC
Rotation speed	3800 rpm	2800 rpm
Power consumption	40 W	210 W
Current consumption	1.5 A	0.8 A
Push and pull torque	2000 N	2000 N
Useful travel	280 mm	280 mm
Drive rod speed	14 mm/s	12 mm/s
Obstacle detection (impact reaction)	Built-in torque limiter	Electronic clutch on the control panel
Limit stops	Built-in, magnetic and adjustable	-
Manual operation	By unlocking key	By unlocking key
Nbr. of operations per 24 hours	60 operations	60 operations
Maximum gate section length	1800 mm	1800 mm
Maximum gate section weight	250 kg	250 kg
Ambient conditions	-20°C to +60°C	-20°C to +60°C
Protection level	IP44	IP44
Lubrication	Greased for life	Greased for life
Capacitor	-	6.3 µF

ÍNDICE

INTRODUCCIÓN	2
INSTRUCCIONES DE SEGURIDAD	2
Advertencia	2
Instrucciones de seguridad	2
DESCRIPCIÓN DEL PRODUCTO	3
Componentes	3
Dimensiones	3
Aplicación	4
VERIFICACIONES ANTES DE LA INSTALACIÓN	4
Comprobaciones preliminares	4
Instrucciones de seguridad	4
INSTALACIÓN	5
Montaje de la brida de sujeción al pilar	5
Montaje de la brida de sujeción a la hoja	6
Casos particulares de instalación	7
Topes de suelo para detener las hojas	7
Conexiones eléctricas	7
AJUSTE DE LOS TOPES DE FIN DE CARRERA - IXENGO S 24 V	8
Ajuste del fin de carrera de cierre FC1	8
Ajuste del fin de carrera de cierre FC2	8
PRUEBA DE FUNCIONAMIENTO	9
Apertura manual	9
Comprobación de funcionamiento	9
Qué hacer en caso de funcionamiento defectuoso del cilindro	9
CARACTERÍSTICAS TÉCNICAS	9
NOTAS	10

INTRODUCCIÓN

Este producto, instalado conforme a las presentes instrucciones, permite una puesta en servicio conforme a las normas EN 12453 y EN 13241-1.

Las instrucciones citadas en los manuales de instalación y utilización del producto están destinadas a cumplir los requisitos de seguridad de bienes y de personas, así como los de las mencionadas normas.

En caso de incumplimiento de estas instrucciones, Somfy declina toda responsabilidad por cualquier daño que pudiera originarse.

Somfy declara que este producto se ajusta a los requisitos básicos y a otras disposiciones pertinentes de la directiva 1999/5/CE. Existe una declaración de conformidad para su consulta en www.somfy.com/ce. (Ixengo_S). Producto utilizable en la Unión Europea y en Suiza.

INSTRUCCIONES DE SEGURIDAD

Advertencia

Importante: observe todas las instrucciones, ya que una instalación incorrecta puede dar lugar a lesiones graves.

Instrucciones de seguridad

Antes de instalar la motorización, compruebe que el batiente esté en buen estado mecánico, correctamente equilibrado y que se abra y cierre sin problemas.

Asegúrese de que no haya zonas peligrosas (aplastamiento, cizallamiento, atoramiento) entre el batiente y las partes fijas circundantes, a causa del movimiento de apertura.

Deje despejada una zona de 500 mm por detrás de cada hoja en posición de apertura total.

Cualquier interruptor sin bloqueo (interfono, contacto con llave, etc.) debe estar situado a vista directa del batiente, aunque alejado de las partes móviles.

Debe estar instalado a una altura mínima de 1,5 m y no ser accesible al público, excepto si funciona con llave.

Compruebe que la motorización no se active si un batiente con portilla está obstaculizado (excepto si la motorización no puede funcionar con la portilla abierta).

Tras la instalación, compruebe que el mecanismo esté ajustado correctamente y que el sistema de protección y todo dispositivo de desembargado manual funcionen correctamente.

Fije de manera permanente la etiqueta relativa al dispositivo de desembargado manual junto a su mando de maniobra.

Utilice gafas durante el taladrado.

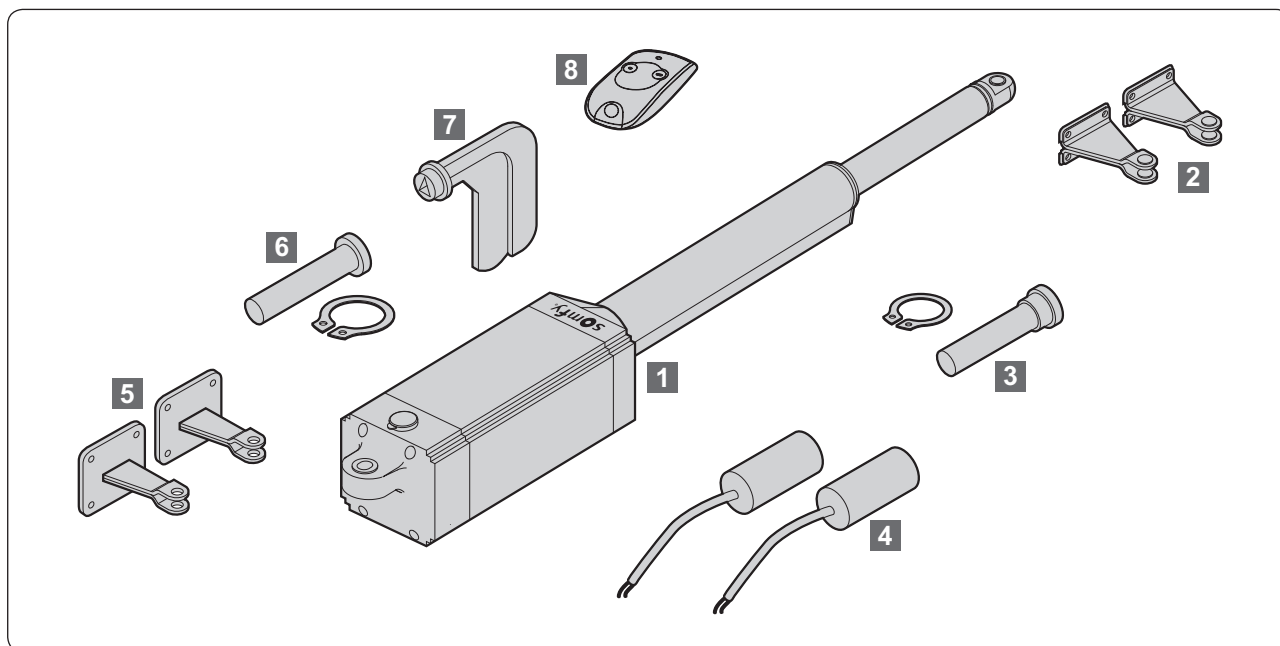
Ixengo S necesita una alimentación de 230 V – 50 Hz. La línea eléctrica debe:

- ser exclusiva para Ixengo S
- tener una sección mínima de 1,5 mm²
- estar dotada de una protección (fusible o interruptor automático de 10 A) y de un dispositivo diferencial (30 mA)
- estar equipada con un dispositivo de desconexión omnipolar
- estar instalada según las normas vigentes de seguridad eléctrica.

Se recomienda incorporar un pararrayos a la instalación (según la norma NF C 61740, tensión residual máxima de 2 kV).

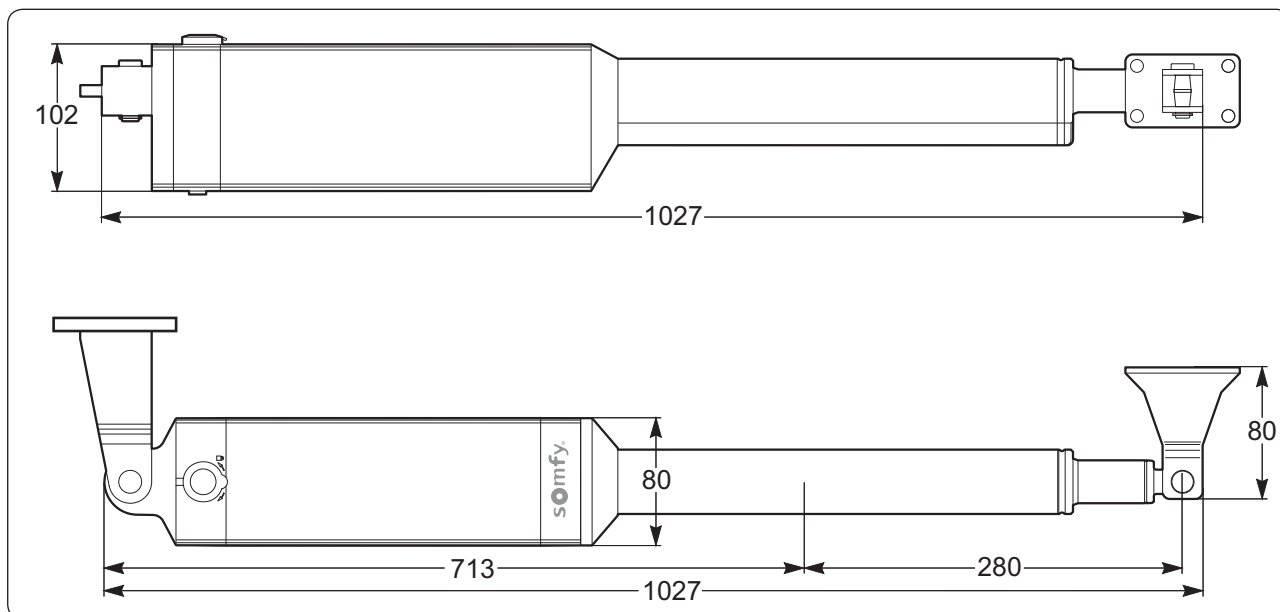
DESCRIPCIÓN DEL PRODUCTO

Componentes

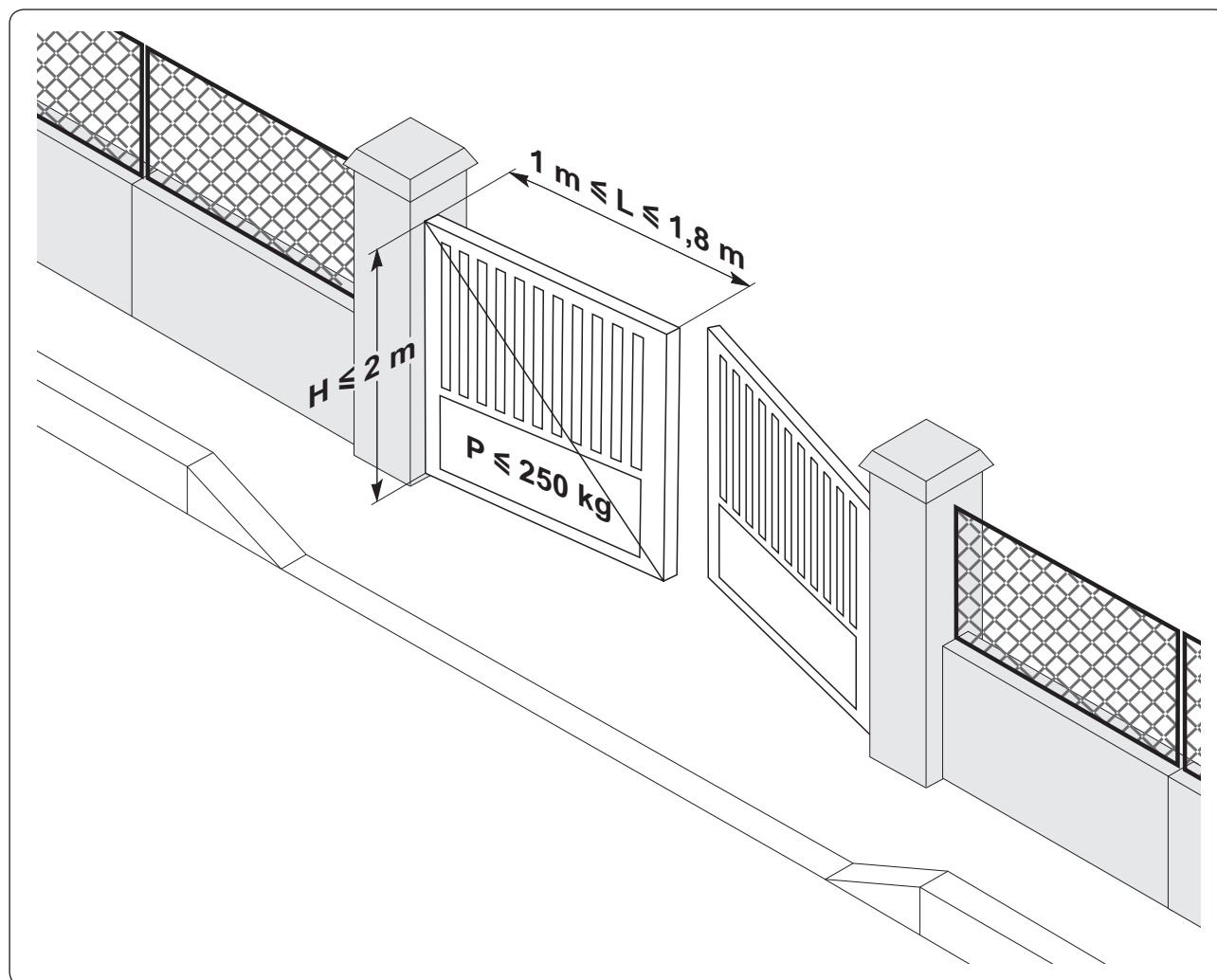


Nº	Cantidad	Denominación
1	2	Motor Ixengo S
2	2	Brida de sujeción a la cancela
3	2	Eje de conexión motor/brida de sujeción a la cancela + clips
4	2	Brida de sujeción a la cancela
5	2	Brida de sujeción al pilar
6	2	Eje de conexión motor/brida de sujeción al pilar
7	1	Llave de desbloqueo
8	2	KEYTIS 2 NS RTS

Dimensiones



Aplicación



VERIFICACIONES ANTES DE LA INSTALACIÓN

Comprobaciones preliminares

La estructura de la cancela debe ser suficientemente robusta. En cualquier caso, el cilindro debe empujar la cancela por un lugar reforzado.

La cancela debe funcionar a mano sin atoramientos. Compruebe que su estado mecánico sea bueno y su equilibrado perfecto.

Los topes de suelo para detener las hojas se instalan para apertura y cierre. Somfy recomienda la instalación de topes de apertura para mejorar la inmovilización de la hoja en posición de apertura.

Si se trata de una cancela existente, compruebe si sus componentes están desgastados. En caso necesario, reparar o sustituir las piezas defectuosas o usadas.

Si la cancela no tiene refuerzos, utilice unas planchas metálicas de apoyo para montar las escuadras.

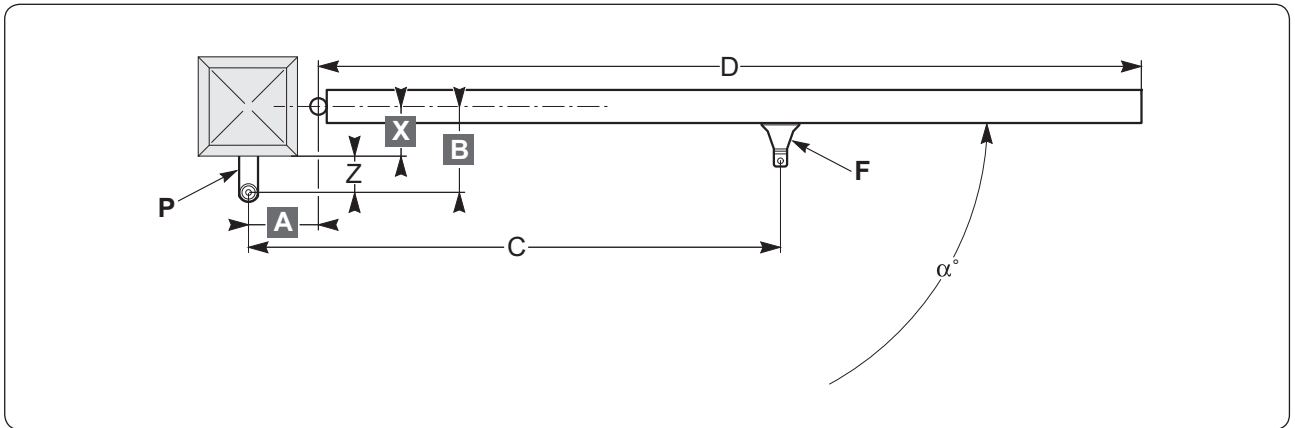
Instrucciones de seguridad

Siga las instrucciones de seguridad durante toda la instalación:

- no lleve joyas (pulseras, cadenas, etc.) durante la instalación
- póngase gafas especiales y protecciones adecuadas para las operaciones de taladrado y soldadura
- utilice las herramientas adecuadas
- no conecte el dispositivo a la red ni a la batería de emergencia antes de haber terminado el proceso de montaje.

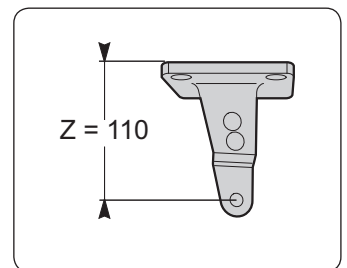
INSTALACIÓN

La figura siguiente muestra las cotas que hay que definir para la instalación.



Leyenda:

- A-B:** cotas para determinar el punto de montaje de la brida **P**
- C:** valor de la distancia entre ejes de montaje (valor recomendado: 993 mm)
- X:** distancia del eje de la cancela al borde del pilar
- Z:** distancia del borde del pilar al eje de rotación del motor
- α°:** ángulo de apertura del pilar
- P:** brida de sujeción al pilar
- D:** longitud de la hoja
- F:** brida de sujeción a la hoja.

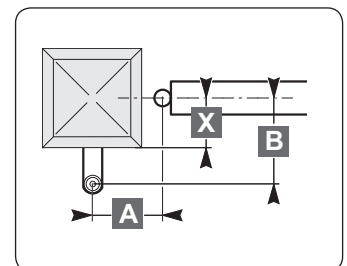


Montaje de la brida de sujeción al pilar

Defina el ángulo de apertura deseado "α°".

Mida la cota **X** en la cancela.

Calcule $B = Z + X$, sabiendo que $Z = 110$ mm.



- Seleccione en la tabla unas cotas **A** y **B** que sean lo más cercanas posible entre sí, para respetar la velocidad de apertura y garantizar el correcto funcionamiento del cilindro. Si son muy diferentes entre sí, el movimiento de la hoja no será constante y la fuerza de tracción o de empuje variará durante el movimiento.

El cuadro recoge los valores óptimos de **A** y de **B** para una apertura de $\alpha^\circ = 90^\circ$ a una velocidad constante.

B \ A	100	110	120	130	140	150	160	170	180
100				119	109	103	98	94	91
110				112	105	98	94	91	
120			117	105	99	94	91		
130			107	99	94	90			
140		112	100	94	90				
150		102	94	90					
160	104	94	89						
170	95	89							
180	88								α°

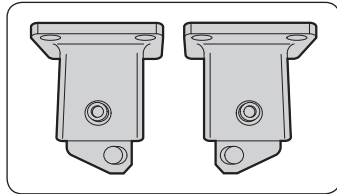
Es posible seleccionar en la tabla los valores de "A" y de "B" según el grado de apertura "α°" deseado.

Si la cota **B** es muy elevada:

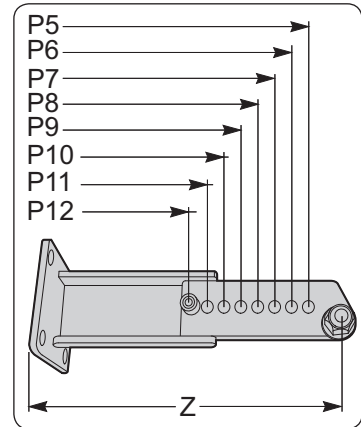
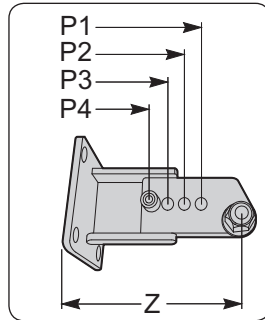
- Utilice las bridas de sujeción ajustables (9014609 o 9014610), para obtener los 4 u 8 valores de Z siguientes (si necesita reducir o aumentar el valor Z).

P1: Z = 77 mm	P5: Z = 150 mm	P9: Z = 215 mm	P11: Z = 235 mm
P2: Z = 90 mm	P6: Z = 165 mm	P10: Z = 225 mm	P12: Z = 250 mm
P3: Z = 110 mm	P7: Z = 190 mm		
P4: Z = 150 mm	P8: Z = 200 mm		

Sentido de montaje de la brida ajustable



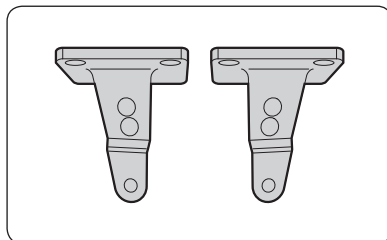
Izquierda Derecha



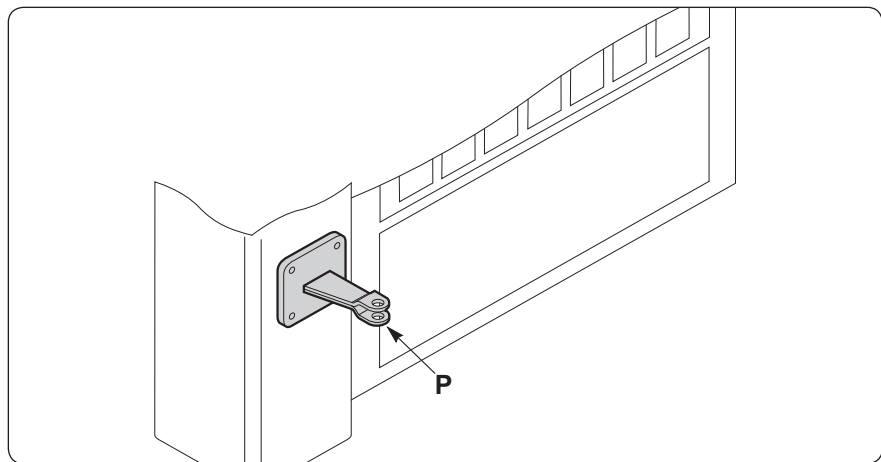
- O desplace las bisagras de la cancela para reducir la distancia **B** (consulte "Casos particulares de instalación").
- Monte la brida de sujeción **P**.

! *Taladre y atornille la brida al pilar.
Utilice fijaciones adecuadas al soporte.*

Sentido de montaje



Izquierda Derecha



Nota: utilice los circlips grandes para fijar la brida **P**.

Ejemplo

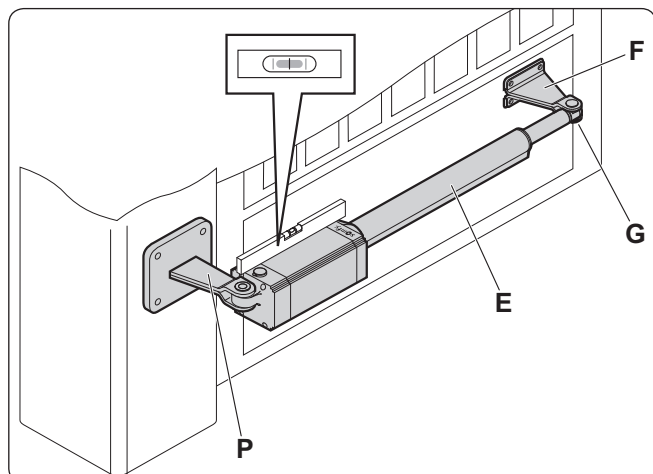
Para un ángulo deseado de apertura de 90°:

- mida la cota **X** = 30 mm
- calcule la cota **B** = **X** + **Z** = 30 + 110 = 140 mm
- busque la cota **B** = 140 en la tabla y utilice una cota **A** = 140 para una apertura a 90°.

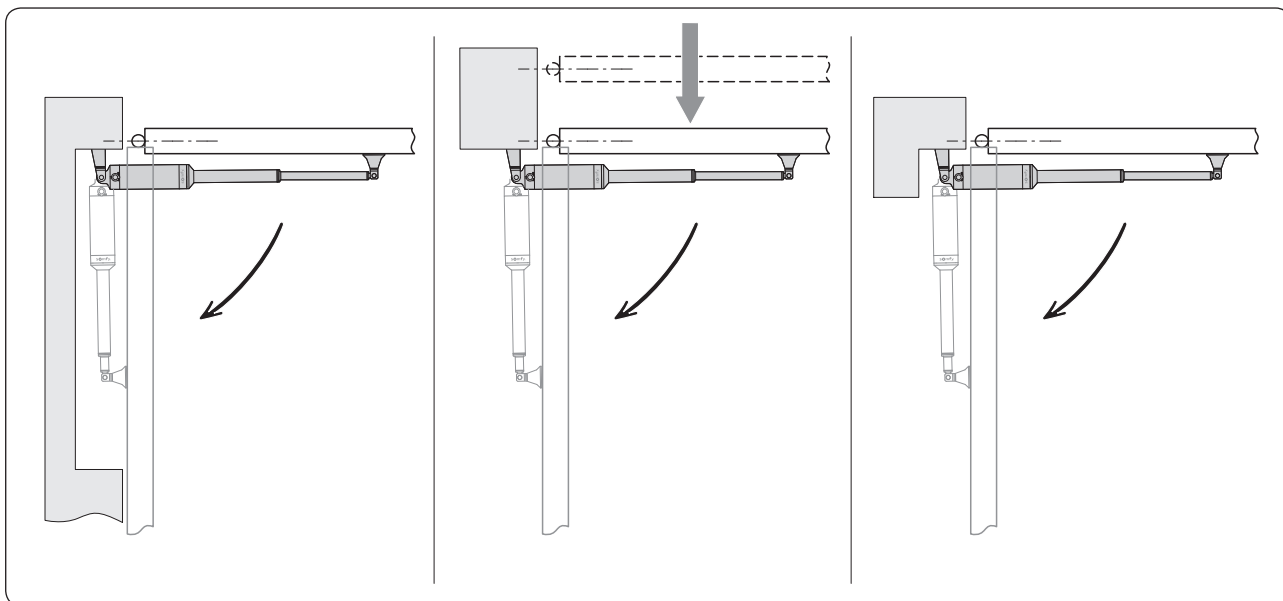
Montaje de la brida de sujeción a la hoja

Importante: en la hoja, mida la cota **C** (993 mm), distancia entre ejes de las dos bridas. Marque el eje de sujeción de la brida de la hoja.

- [1] Desbloquee el cilindro **E**. Saque el vástago hasta el tope.
- [2] Monte provisionalmente el cilindro en su soporte **P**.
- [3] Coloque en el cilindro **E** la brida de sujeción a la hoja **F** con su eje **G**.
- [4] Compruebe la horizontalidad del cilindro **E** con un nivel.
- [5] Fije la brida de sujeción a la hoja **F**.



Casos particulares de instalación

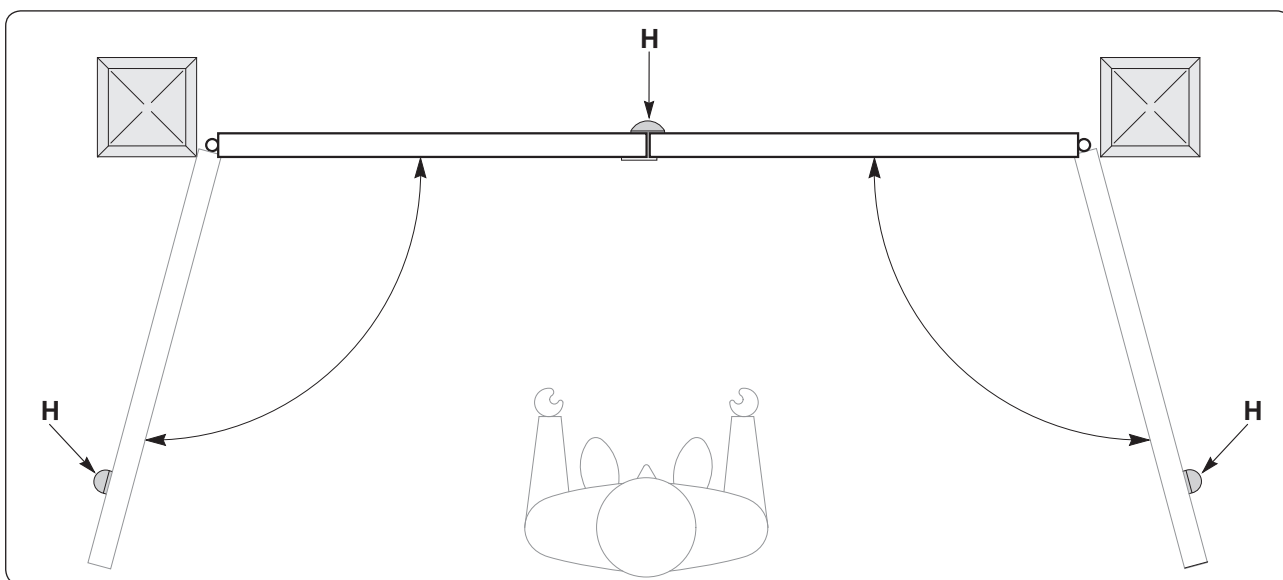


Instalación con nicho en una cerca

Desplazamiento de la bisagra de la cancela

Instalación con nicho en un pilar

Topes de suelo para detener las hojas

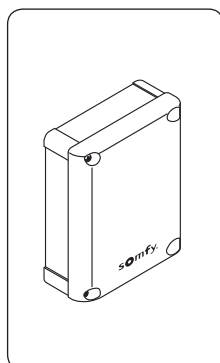


Compruebe que estén instalados los topes de suelo **H** para detención de las hojas.

Para el funcionamiento del cilindro es imprescindible utilizar los topes de suelo, tanto en apertura como en cierre.

Conexiones eléctricas

Efectúe las conexiones del cilindro al mando electrónico FX 24 para Ixengo S 24 V y FX 230 para Ixengo S 230 V.

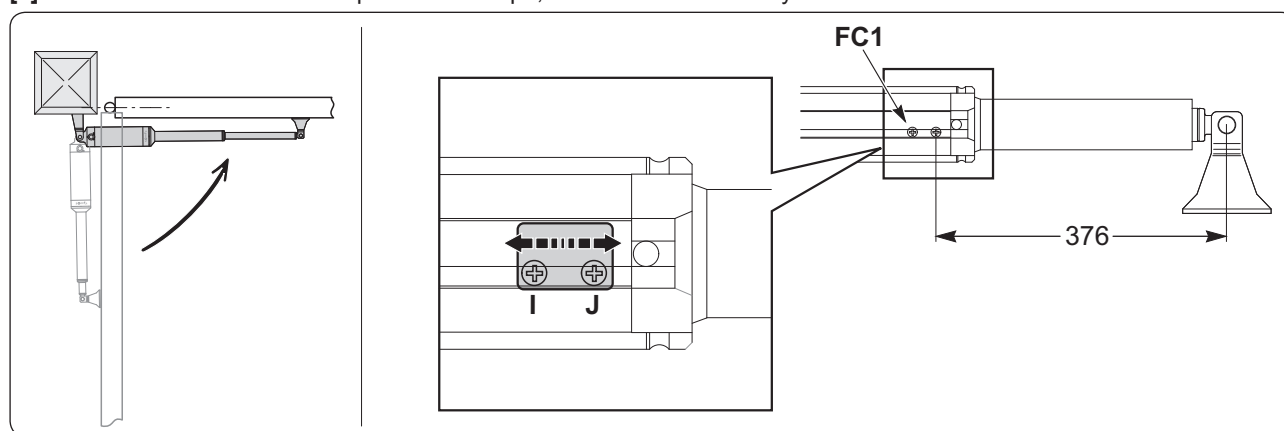


AJUSTE DE LOS TOPES DE FIN DE CARRERA - IXENGO S 24 V

El ajuste de los topes de fin de carrera se efectúa posicionando correctamente los imanes de fin de carrera del cilindro 24 V. **Importante:** para el cilindro 230 V, consulte el manual del mando electrónico FX 230, ajustando el tiempo de trabajo del motor.

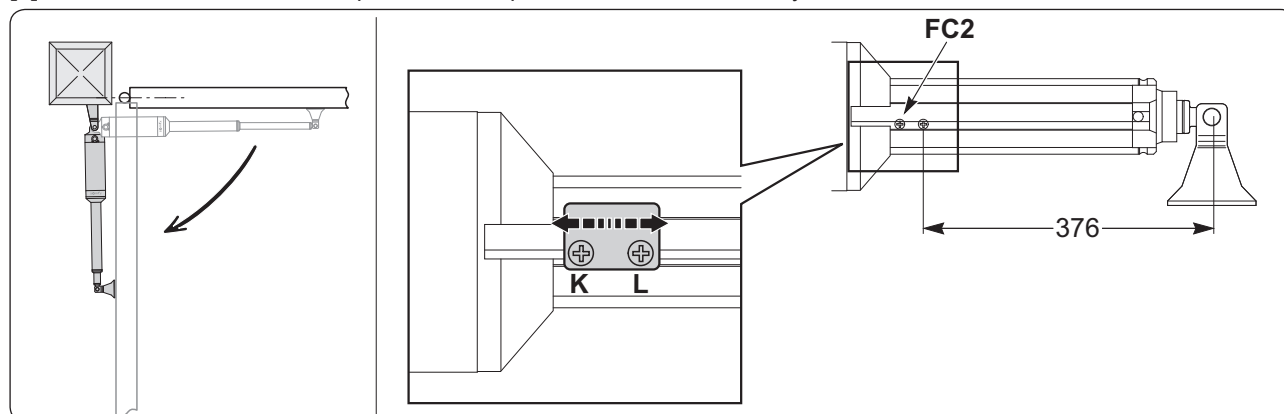
Ajuste del fin de carrera de cierre FC1

- [1] Cierre la hoja.
- [2] Afloje los tornillos I y J del fin de carrera de cierre.
- [3] Desplace el tope de manera que la distancia entre el tornillo J y el eje de la brida de la hoja sea de unos 376 mm.
- [4] Efectúe una maniobra de cierre.
- [5] Si la hoja se detiene antes del cierre deseado, desplace ligeramente el tope hacia la extremidad del vástago.
- [6] Si la hoja golpea el tope de cierre situado en el suelo y el cilindro invierte el movimiento, desplace el tope ligeramente hacia el cuerpo del cilindro.
- [7] Tras definir correctamente la posición del tope, atornille los tornillos I y J.



Ajuste del fin de carrera de apertura FC2

- [1] Abra la cancela.
- [2] Afloje los tornillos K y L del fin de carrera de apertura.
- [3] Desplace el tope de manera que la distancia entre el tornillo L y el eje de la brida de la hoja sea de unos 376 mm.
- [4] Abra la cancela.
- [5] Si la hoja se detiene antes de lo deseado, desplace ligeramente el tope hacia el cuerpo del cilindro.
- [6] Si la hoja golpea el tope de apertura situado en el suelo y el cilindro invierte el movimiento, desplace el tope ligeramente hacia la extremidad del vástago.
- [7] Tras definir correctamente la posición del tope, atornille los tornillos K y L.



Nota: al programar el mando electrónico, es necesario anticiparse ligeramente a la intervención de los topes de fin de carrera. Para alcanzar un apoyo perfecto en los topes de suelo, el cilindro continúa su movimiento 1 o 2 cm (unos 100 ms).

PRUEBA DE FUNCIONAMIENTO

Apertura manual

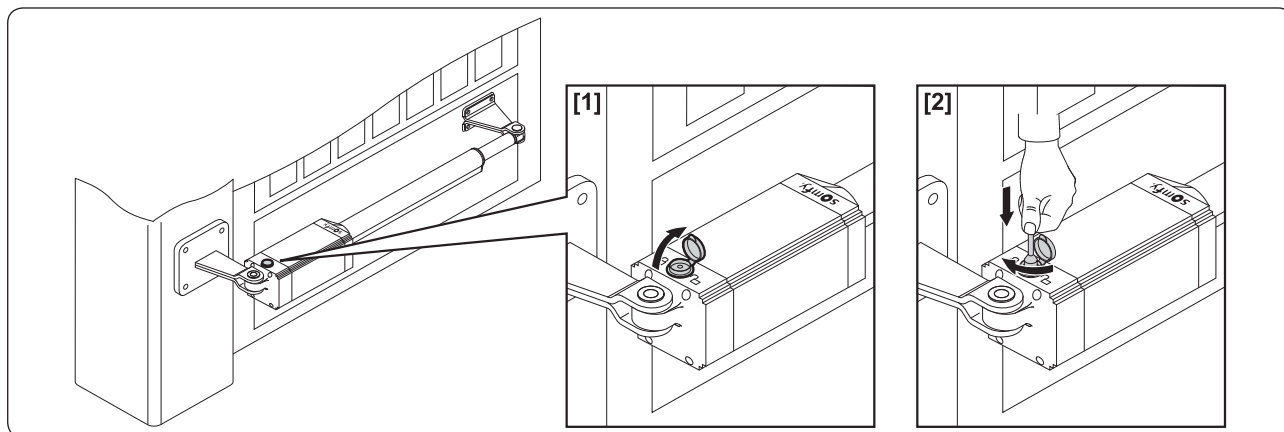
En caso necesario, el cilindro está equipado con una llave de desbloqueo, para poder accionar la hoja manualmente.

[1] Levante la tapa de la cerradura, introduzca la llave de desbloqueo y gírela 90° en el sentido de las agujas del reloj.

[2] Empuje la hoja para abrir la cancela a mano.

[3] Gire la llave en sentido contrario para reanudar el funcionamiento a motor.

[4] Vuelva a cerrar la tapa.



Comprobación de funcionamiento

Antes de poner en marcha el cilindro:

- asegúrese de que todas las piezas estén bien ancladas
- compruebe que todos los dispositivos de seguridad funcionen
- verifique el mando de maniobra de emergencia
- verifique el funcionamiento correcto del mando electrónico.

Qué hacer en caso de funcionamiento defectuoso del cilindro

- Verifique con un instrumento especial que haya tensión en las extremidades del motorreductor, tras efectuar una maniobra de apertura o cierre.
- Si el cilindro no se mueve en el sentido adecuado, invierta las conexiones del cableado del motorreductor.
- Si la cancela inicia un movimiento en sentido inverso tras una apertura o un cierre, significa que los topes de fin de carrera no están ajustados correctamente. Consulte el apartado: "Ajuste de los topes de fin de carrera" para afinar la posición de los topes.

CARACTERÍSTICAS TÉCNICAS

	Versión 24 V	Versión 230 V
Alimentación	24 V CC	230 V AC
Velocidad de rotación	3800 r.p.m.	2800 r.p.m.
Potencia consumida	40 W	210 W
Intensidad consumida	1,5 A	0,8 A
Fuerza de empuje y de tracción	2000 N	2000 N
Carrera útil	280 mm	280 mm
Velocidad del vástago	14 mm/s	12 mm/s
Detección de obstáculos (reacción ante choque)	Limitador de par integrado	Embragado electrónico en panel de mando
Topes de fin de carrera	Magnéticos incorporados y ajustables	-
Maniobra manual	Mediante llave de desbloqueo	Mediante llave de desbloqueo
Nº de maniobras en 24 h	60 maniobras	60 maniobras
Longitud máx. de hoja	1800 mm	1800 mm
Peso máx. de hoja	250 kg	250 kg
Condiciones ambientales	-20 °C a +60 °C	-20 °C a +60 °C
Grado de protección	IP44	IP44
Engrase	Grasa permanente	Grasa permanente
Condensador	-	6,3 µF

ÍNDICE

GENERALIDADES	2
INSTRUÇÕES DE SEGURANÇA	2
Advertência	2
Instruções de segurança	2
DESCRIÇÃO DO PRODUTO	3
Composição	3
Dimensões	3
Área de aplicação	4
VERIFICAÇÕES A EFECTUAR ANTES DA INSTALAÇÃO	4
Controlos prévios	4
Instruções de segurança	4
INSTALAÇÃO	5
Instalação da placa de fixação do pilar	5
Instalação da placa de fixação da folha do portão	6
Instalações específicas	7
Batentes das folhas do portão no chão	7
Ligações eléctricas	7
REGULAÇÃO DAS BATENTES DE FIM DE CURSO	8
Regulação do fim de curso de fecho FC1	8
Regulação do fim de curso de fecho FC2	8
TESTE DE FUNCIONAMENTO	9
Abertura manual	9
Verificação do funcionamento	9
O que fazer em caso de mau funcionamento do cilindro	9
CARACTERÍSTICAS TÉCNICAS	9
NOTAS	10

GENERALIDADES

Este produto instalado de acordo com as presentes instruções permite uma aplicação em conformidade com as normas EN 12453 e EN 13241-1.

Le istruzioni riportate nei manuali d'installazione e di utilizzo di questo prodotto sono fornite allo scopo di soddisfare i requisiti di sicurezza dei beni, delle persone e delle suddette norme.

In caso di mancato rispetto delle presenti istruzioni, Somfy declina ogni responsabilità per eventuali danni che potrebbero essere causati dall'uso dell'impianto.

Con la presente, SOMFY dichiara che l'apparecchio è conforme ai requisiti essenziali ed alle altre disposizioni applicabili della direttiva 1999/5/EC. All'indirizzo Internet www.somfy.com/ce, è disponibile una dichiarazione di conformità. (Ixengo_S)

Prodotto utilizzabile nell'Unione Europea ed in Svizzera.

INSTRUÇÕES DE SEGURANÇA

Advertência

É importante cumprir todas as instruções, pois uma instalação incorrecta pode provocar ferimentos graves.

Instruções de segurança

Antes de instalar a motorização do portão, verifique se a parte accionada está em bom estado mecânico, se está correctamente equilibrada e se fecha correctamente.

Certifique-se da ausência de eventuais zonas perigosas (perigo de esmagamento, corte, entalo) entre a parte accionada e as partes fixas envolventes devido ao movimento de abertura da parte accionada.

Mantenha uma zona desimpedida de 500 mm atrás de cada folha do portão quando este estiver totalmente aberto.

Qualquer interruptor sem bloqueio (intercomunicador, contacto de chave, etc.) deve encontrar-se numa posição em que a parte accionada seja vista directamente, mas afastado das partes móveis.

Esse interruptor deve ser instalado no mínimo a 1,5 m de altura e não deve ser acessível ao público, excepto se funcionar com uma chave.

Assegure-se de que a motorização não pode ser utilizada com uma parte bloqueada que incorpore uma porta (a não ser que a motorização não possa funcionar quando a porta estiver aberta).

Depois da instalação, certifique-se de que o mecanismo se encontra correctamente regulado, que o sistema de protecção e qualquer dispositivo de desbloqueio manual funcionam correctamente.

Fixe de forma permanente a etiqueta relativa ao dispositivo de desbloqueio manual, perto do seu órgão de comando.

Use óculos quando tiver que realizar furos.

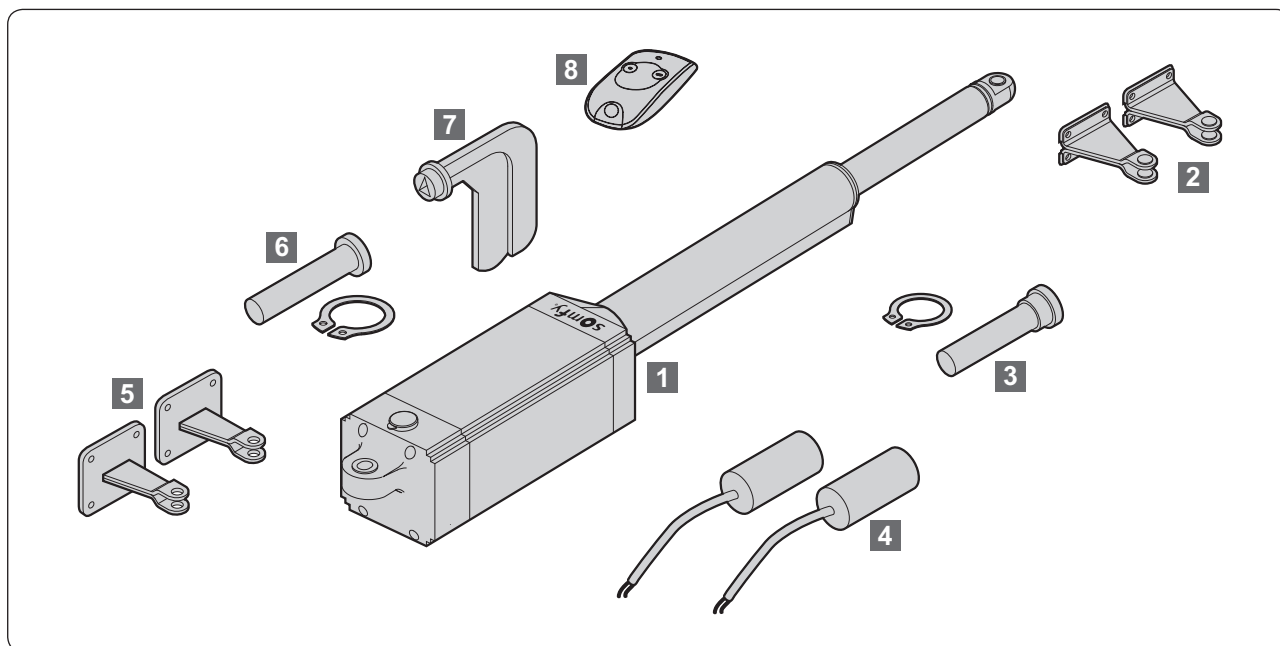
Para funcionar, o Ixengo S deve ser alimentado com 230 V - 50 Hz. A linha eléctrica deve:

- ser exclusivamente reservada ao Ixengo S
- ter uma secção mínima de 1,5 mm²
- ser provida de uma protecção (fusível ou disjuntor de calibre 10 A) e de um dispositivo diferencial (30 mA)
- estar equipada com um sistema de desligamento omnipolar
- ser instalada em conformidade com as normas de segurança eléctrica em vigor.

Aconselha-se a instalação de um pára-raios juntamente com a instalação (em conformidade com a norma NF C 61740, tensão residual máxima 2 kV).

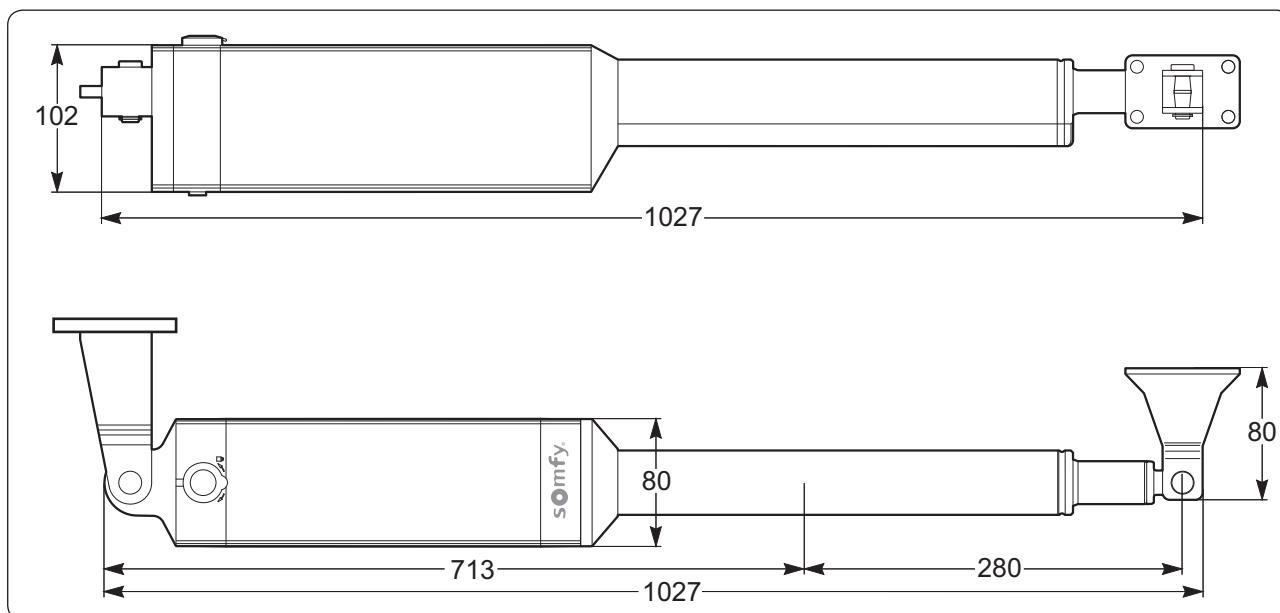
DESCRIÇÃO DO PRODUTO

Composição

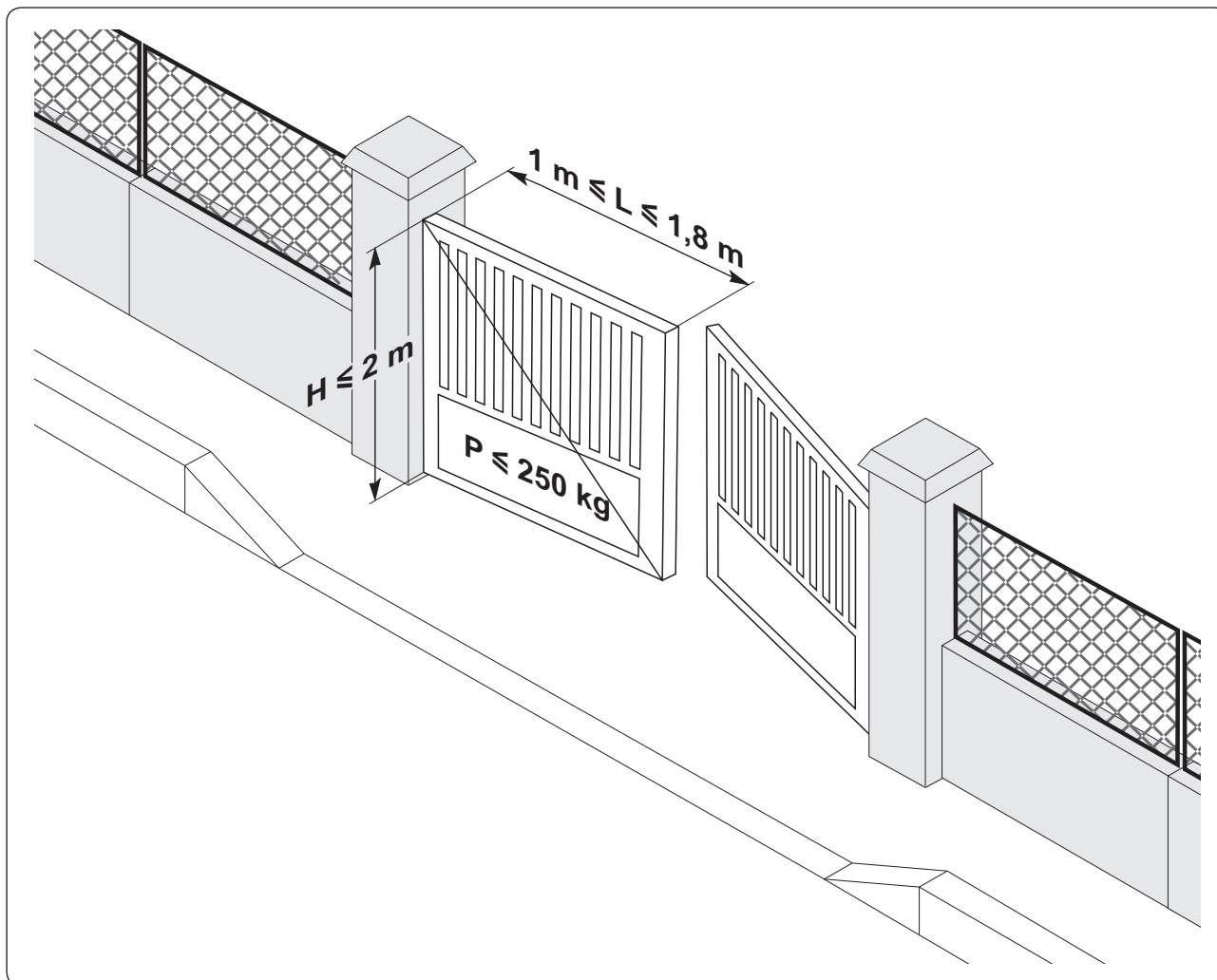


Ref.	Número	Designação
1	2	Motor Ixengo S
2	2	Placa de fixação do portão
3	2	Eixo de ligação motor / placa de fixação do portão + clips
4	2	Condensador (unicamente Ixengo S 230 V)
5	2	Placa de fixação do pilar
6	2	Eixo de ligação motor / placa de fixação do pilar
7	1	Chave de desbloqueio
8	2	KEYTIS 2 NS RTS

Dimensões



Área de aplicação



VERIFICAÇÕES A EFECTUAR ANTES DA INSTALAÇÃO

Controlos prévios

A estrutura do portão deve ser suficientemente robusta. O cilindro deve sempre empurrar a folha do portão para um ponto reforçado.

O portão deve funcionar manualmente sem rigidez. Verificar o correcto estado mecânico e o perfeito equilíbrio.

As batentes das folhas do portão situadas no chão estão instaladas tanto para a abertura como para o fecho. Somfy aconselha a instalação de batentes na abertura, para melhorar a sustentação do portão na posição aberta.

No caso de um portão existente, verificar o estado de desgaste dos componentes. Caso necessário, consertar ou substituir as peças defeituosas ou gastas.

Se o portão não tiver reforços, utilizar contrafolhas de metal para a fixação dos esquadros.

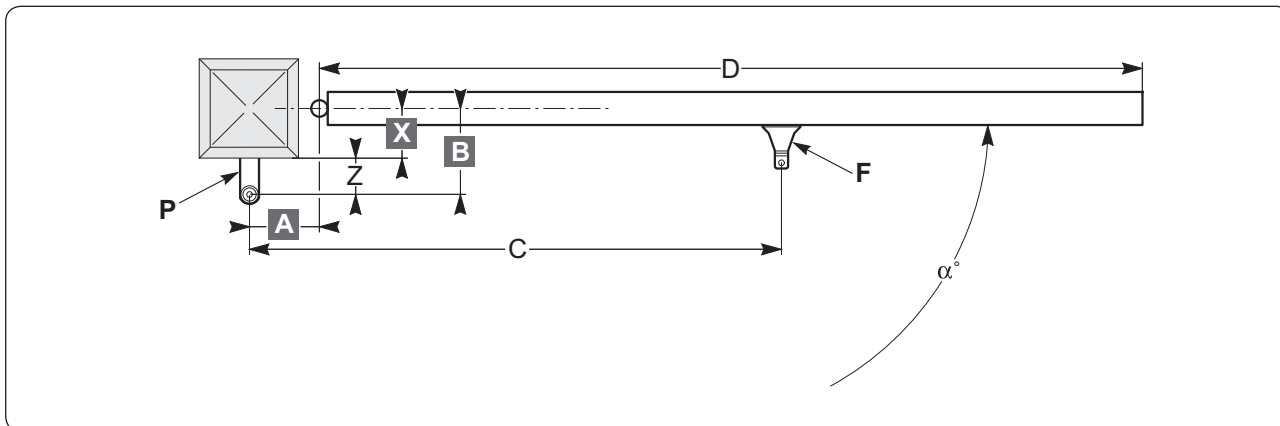
Instruções de segurança

As instruções de segurança devem ser cumpridas durante todo o processo de instalação:

- retire quaisquer jóias (pulseira, fio, corrente ou outras) antes da instalação
- para as operações de perfuração e soldadura, use óculos especiais e protecções adequadas
- utilize as ferramentas adequadas
- não ligue a corrente eléctrica ou uma bateria de emergência antes de ter terminado o processo de montagem.

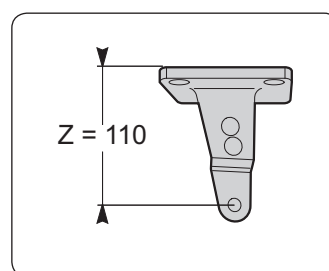
INSTALAÇÃO

O esquema seguinte ilustra as dimensões a definir para a instalação.



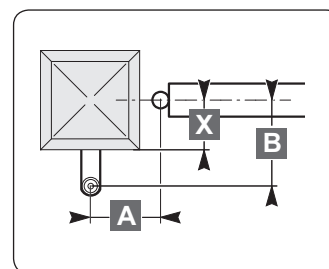
Legenda:

- A-B:** dimensões para determinar o ponto de fixação da placa **P**
- C:** valor de fixação entre-eixos (valor aconselhado: 993 mm)
- X:** distância do eixo do portão à beira do pilar
- Z:** distância da beira do pilar ao eixo de rotação do motor
- α° : ângulo de abertura do portão
- P:** placa de fixação do pilar
- D:** comprimento da folha do portão
- F:** placa de fixação da folha do portão.



Instalação da placa de fixação do pilar

- Definir o ângulo de abertura pretendido " α° ".
- Medir a dimensão **X** no portão.
- Calcular $B = Z + X$, sendo $Z = 110$ mm.



- No quadro, escolher dimensões **A** e **B** que sejam sensivelmente idênticas para permitir a velocidade de abertura adequada e garantir o correcto funcionamento do cilindro. Se as dimensões forem muito diferentes, o movimento da folha do portão não é constante e a força de tracção ou de impulso varia durante o movimento.

O quadro mostra o valor ideal de **A** e **B** para uma abertura de $\alpha^\circ = 90^\circ$ a uma velocidade constante.

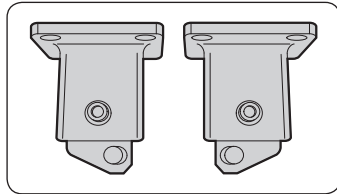
B \ A	100	110	120	130	140	150	160	170	180
100				119	109	103	98	94	91
110				112	105	98	94	91	
120			117	105	99	94	91		
130			107	99	94	90			
140		112	100	94	90				
150		102	94	90					
160	104	94	89						
170	95	89							
180	88								α°

O quadro acima permite escolher os valores de "**A**" e "**B**" em função do grau de abertura " α° " pretendido.

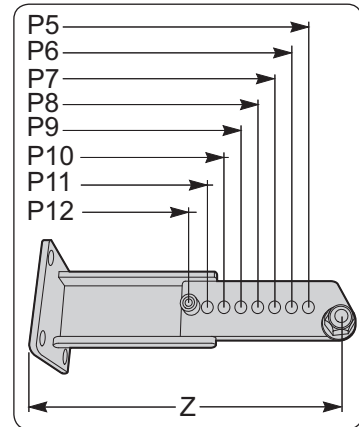
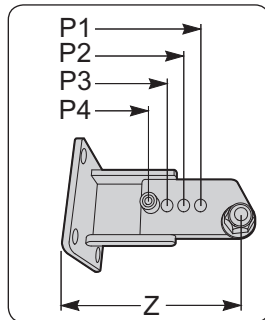
- Se a dimensão **B** for demasiado grande:
- Utilizar as placas de fixação reguláveis (9014609 ou 9014610) que permitem os 4 ou 8 valores de Z seguintes (caso necessite de diminuir ou aumentar o valor de Z).

P1: Z = 77 mm	P5: Z = 150 mm	P9: Z = 215 mm	P11: Z = 235 mm
P2: Z = 90 mm	P6: Z = 165 mm	P10: Z = 225 mm	P12: Z = 250 mm
P3: Z = 110 mm	P7: Z = 190 mm		
P4: Z = 150 mm	P8: Z = 200 mm		

Sentido de fixação da placa regulável



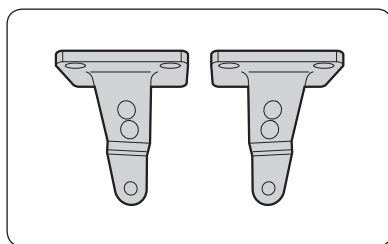
Esquerda Direita



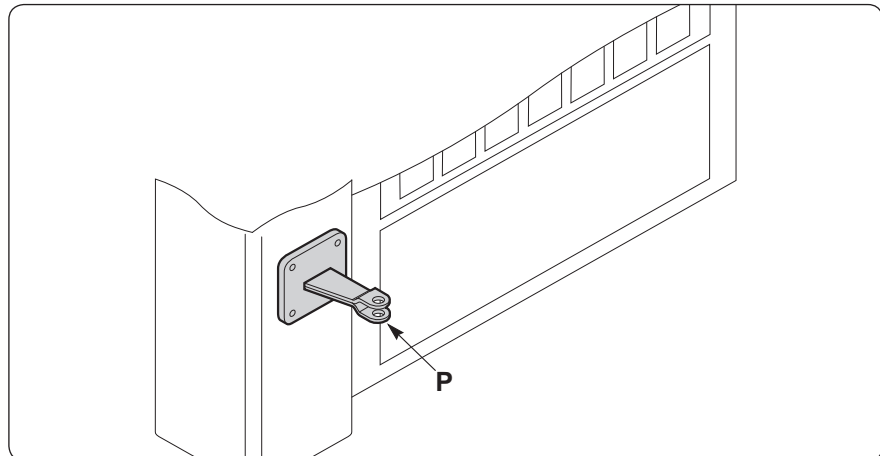
- Ou desprender os gonzos do portão de modo a encurtar a distância **B** (ver "Instalações específicas").
- Fixar a placa de fixação **P**.

! *Furar e aparafusar a placa no pilar.
Utilizar as fixações em função do suporte.*

Sentido de fixação



Esquerda Direita



Nota: Utilizar os circlips grandes para fixar a placa **P**.

Exemplo:

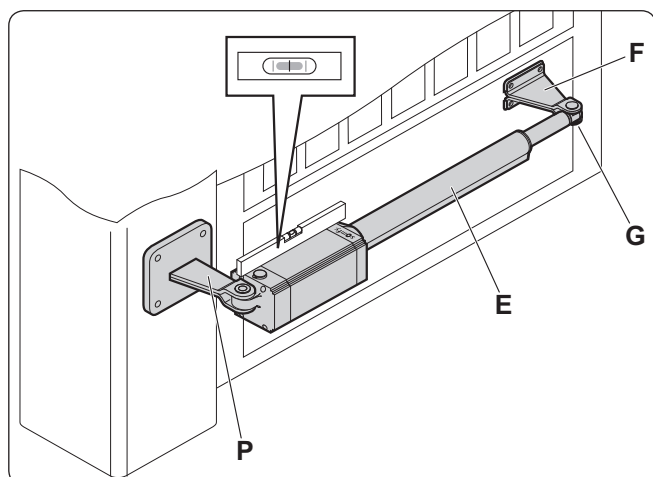
Para um ângulo de abertura de 90°:

- medir a dimensão **X** = 30 mm.
- calcular a dimensão **B** = **X** + **Z** = 30 + 110 = 140 mm.
- marcar a dimensão **B** = 140 no quadro e utilizar uma dimensão **A** = 140 para uma abertura de 90°.

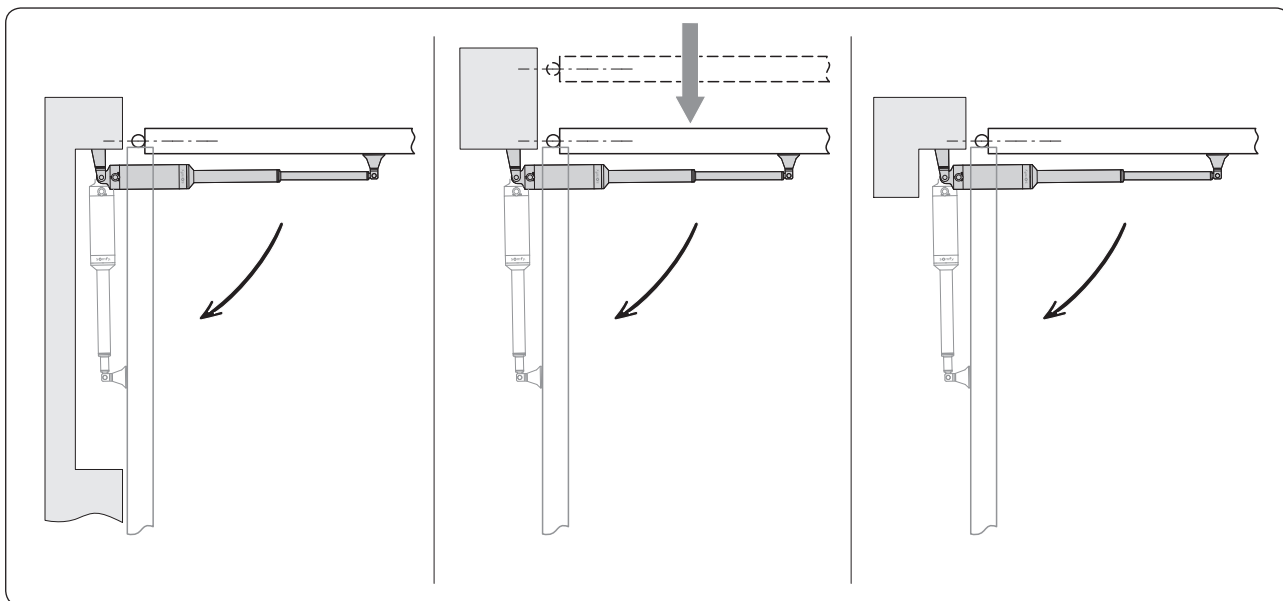
Instalação da placa de fixação da folha do portão

Importante: na folha do portão, medir a dimensão **C** (993 mm), entre-eixo de fixação entre as duas placas. Apontar o eixo de fixação da placa da folha do portão.

- [1] Desbloquear o cilindro **E**. Tirar a barra até à batente.
- [2] Instalar provisoriamente o cilindro no seu suporte **P**.
- [3] Instalar a placa de fixação da folha do portão **F** no cilindro **E** com o seu eixo **G**.
- [4] Verificar com um nível se o cilindro **E** está efectivamente horizontal.
- [5] Fixar a placa de fixação da folha do portão **F**.



Instalações específicas

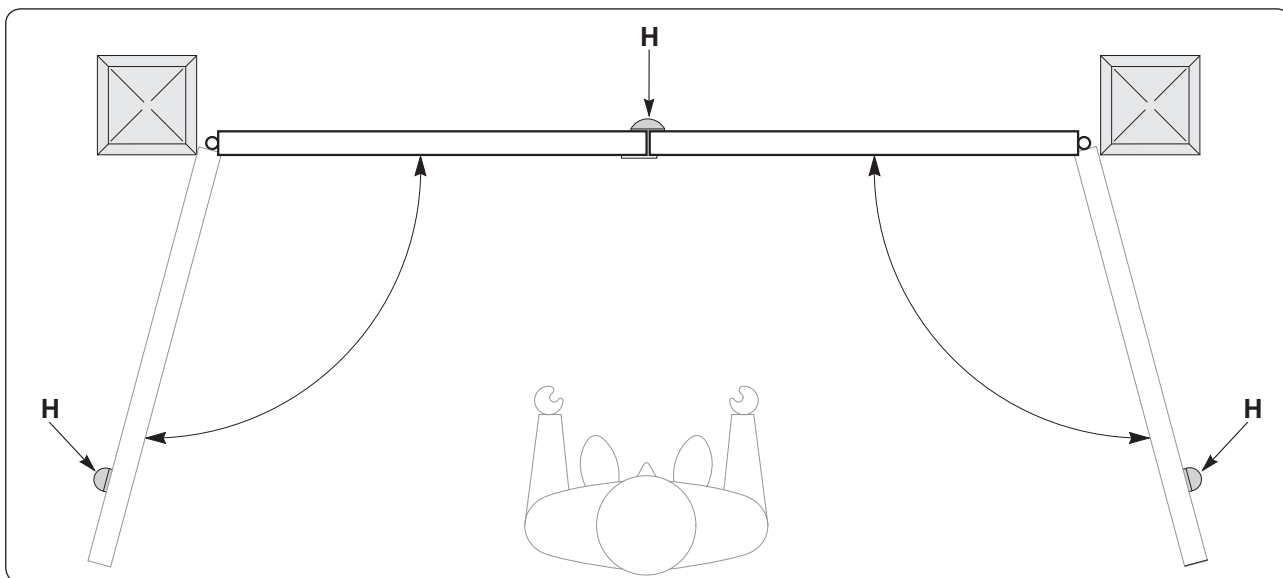


Instalação com nicho numa vedação

Deslocação do gonzo do portão

Instalação com nicho num pilar

Batentes das folhas do portão no chão

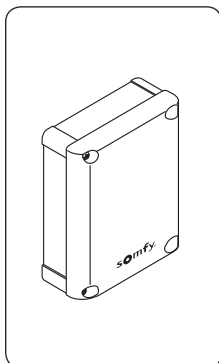


Verificar a presença de batentes **H** das folhas do portão no chão.

Para o funcionamento do cilindro, é imperativo utilizar batentes no chão tanto na abertura como no fecho.

Ligações eléctricas

Efectuar as ligações do cilindro com o comando electrónico FX 24 para Ixengo S 24 V e FX 230 para Ixengo S 230 V.



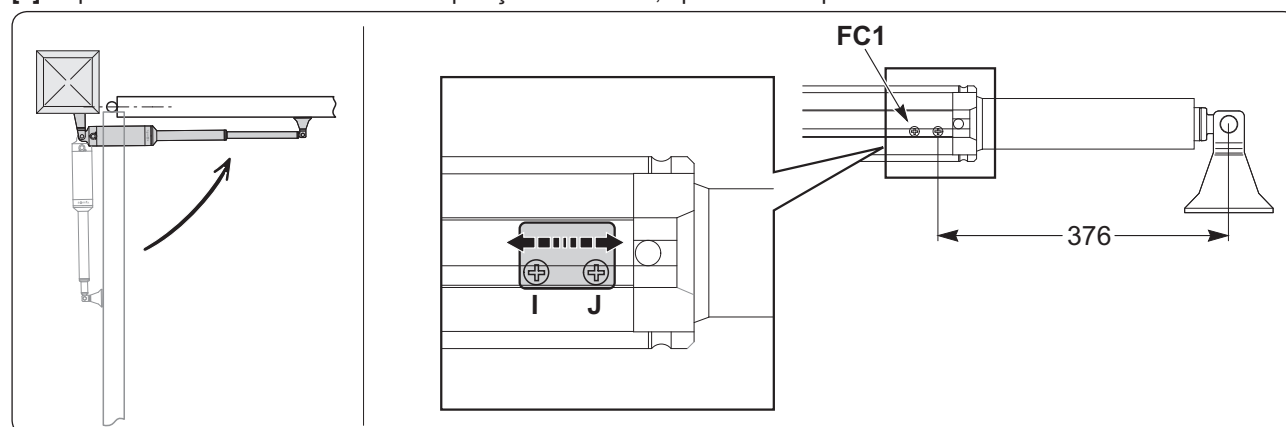
REGULAÇÃO DAS BATENTES DE FIM DE CURSO

A regulação das batentes de fim de curso é efectuada posicionando correctamente os ímanes de fim de curso do cilindro 24 V.

Importante: para o cilindro de 230 V, consultar o manual de instruções do comando electrónico FX 230, regulando o tempo de funcionamento do motor.

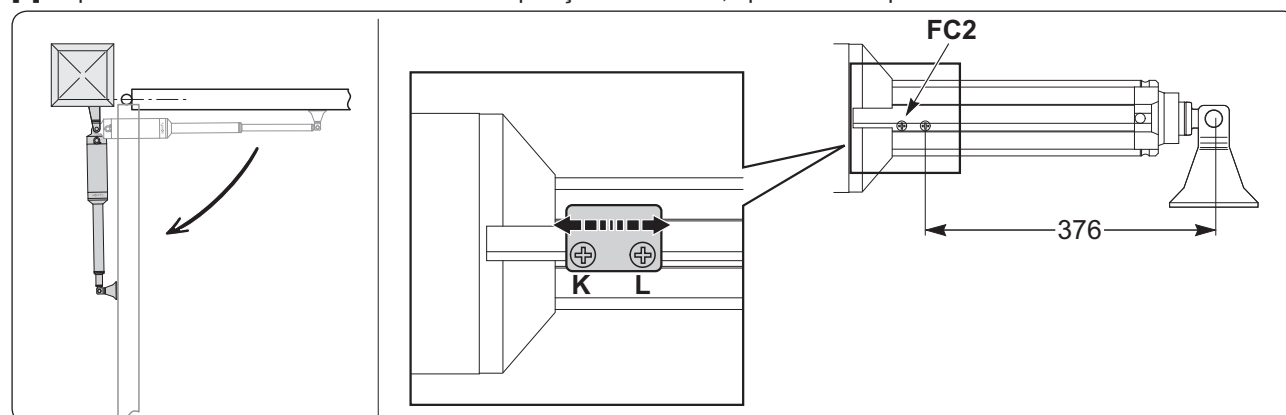
Regulação do fim de curso de fecho FC1

- [1] Fechar a folha do portão.
- [2] Desaparafusar os parafusos I e J do fim de curso de fecho.
- [3] Deslocar a batente para que a distância entre o parafuso J e o eixo da placa da folha do portão seja de 376 mm aproximadamente.
- [4] Efectuar uma manobra de fecho.
- [5] Se a folha parar antes do fecho pretendido, deslocar ligeiramente a batente para o extremo da barra.
- [6] Se a folha bater contra a batente de fecho no chão e o cilindro inverter o movimento, deslocar ligeiramente a batente em direcção ao corpo do cilindro.
- [7] Depois de ter sido definida a correcta posição da batente, aparafusar os parafusos I e J.



Regulação do fim de curso de abertura FC2

- [1] Abrir o portão.
- [2] Desaparafusar os parafusos K e L do fim de curso de abertura.
- [3] Deslocar a batente para que a distância entre o parafuso L e o eixo da placa da folha do portão seja de 376 mm aproximadamente.
- [4] Abrir o portão.
- [5] Se a folha do portão parar demasiado cedo, deslocar ligeiramente a batente em direcção ao corpo do cilindro.
- [6] Se a folha do portão bater contra a batente de abertura no chão e o cilindro inverter o movimento, deslocar ligeiramente a batente para o extremo da barra.
- [7] Depois de ter sido correctamente definida a posição da batente, aparafusar os parafusos K e L.



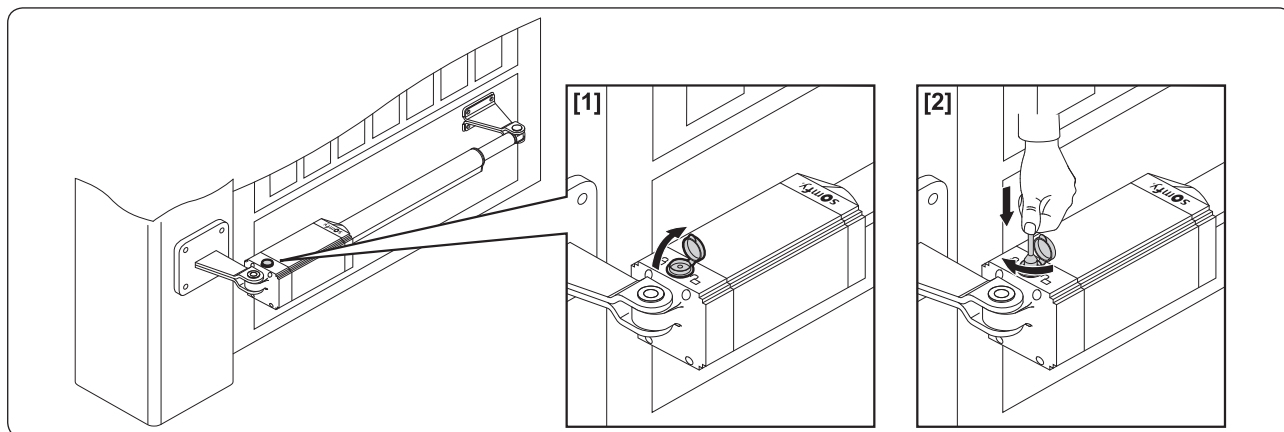
Nota: Quando da programação do comando electrónico, é necessário antecipar ligeiramente a acção das batentes de fim de curso. Para ter um apoio perfeito nas batentes do chão, o cilindro continua a deslocar-se durante 1 ou 2 cm a mais (cerca de 100 ms).

TESTE DE FUNCIONAMENTO

Abertura manual

Caso necessário, o cilindro está equipado com uma chave de desbloqueio para manobrar a folha do portão manualmente.

- [1] Levantar a tampa da fechadura e empurrar a chave de desbloqueio, girando-a 90° no sentido horário.
- [2] Empurrar manualmente a folha para abrir o portão.
- [3] Rodar a chave no sentido contrário para restabelecer o funcionamento motorizado.
- [4] Repor a tampa da fechadura.



Verificação do funcionamento

Antes de pôr o cilindro a funcionar:

- verificar se todas as peças estão solidamente fixadas.
- verificar o correcto funcionamento de todos os dispositivos de segurança.
- verificar o comando de manobra de emergência.
- verificar o correcto funcionamento do comando electrónico.

O que fazer em caso de mau funcionamento do cilindro

- Verificar com uma ferramenta específica a presença de corrente nas extremidades do motorreductor depois de ter efectuado uma manobra de abertura ou de fecho.
- Se o cilindro não se movimentar no sentido correcto, inverter as ligações do motorreductor.
- Se o portão voltar no sentido contrário depois de uma abertura ou de um fecho, isso significa que as batentes de fim de curso não estão correctamente reguladas. Ver o parágrafo “Regulação das batentes de fim de curso” para colocar as batentes na posição correcta.

CARACTERÍSTICAS TÉCNICAS

	Versão 24 V	Versão 230 V
Alimentação	24 V CC	230 V AC
Velocidade de rotação	3800 rpm	2800 rpm
Potência absorvida	40 W	210 W
Corrente absorvida	1.5 A	0.8 A
Força de impulso e de tracção	2000 N	2000 N
Curso útil	280 mm	280 mm
Velocidade da barra	14 mm/s	12 mm/s
Deteccção de obstáculos (reação aos choques)	Limitador de binário integrado	Accionamento electrónico em quadro de comando
Batentes de fim de curso	Magnéticas integradas e reguláveis	-
Manobra manual	Com chave de desbloqueio	Com chave de desbloqueio
Nº de manobras em 24 h	60 manobras	60 manobras
Comprimento máximo da folha do portão	1800 mm	1800 mm
Peso máximo da folha do portão	250 kg	250 kg
Condições climáticas	-20 °C a +60 °C	-20 °C a +60 °C
Nível de protecção	IP44	IP44
Lubrificação	Lubrificante permanente	Lubrificante permanente
Condensador	-	6.3 µF

ΠΙΝΑΚΑΣ ΠΕΡΙΕΧΟΜΕΝΩΝ

ΓΕΝΙΚΗ ΠΑΡΟΥΣΙΑΣΗ	2
ΟΔΗΓΙΕΣ ΑΣΦΑΛΕΙΑΣ	2
Προειδοποίηση	2
Οδηγίες ασφαλείας	2
ΠΕΡΙΓΡΑΦΗ ΤΟΥ ΠΡΟΪΟΝΤΟΣ	3
Σύνθεση	3
Διαστάσεις	3
Τομέας εφαρμογής	4
ΣΗΜΕΙΑ ΓΙΑ ΕΛΕΓΧΟ ΠΡΙΝ ΤΗΝ ΕΓΚΑΤΑΣΤΑΣΗ	4
Προκαταρκτικοί έλεγχοι	4
Οδηγίες ασφαλείας	4
ΕΓΚΑΤΑΣΤΑΣΗ	5
Τοποθέτηση του πέλματος στήριξης της κολόνας	5
Τοποθέτηση του πέλματος στήριξης φύλλου πόρτας	6
Ιδιαίτερες εγκαταστάσεις	7
Στοπ εδάφους των φύλλων πόρτας	7
Ηλεκτρικές συνδέσεις	7
ΡΥΘΜΙΣΗ ΤΩΝ ΤΕΡΜΑΤΙΚΩΝ ΣΤΟΠ ΔΙΑΔΡΟΜΗΣ	8
Ρύθμιση του τέρματος διαδρομής κλεισίματος FC1	8
Ρύθμιση του τέρματος διαδρομής κλεισίματος FC2	8
ΔΟΚΙΜΗ ΛΕΙΤΟΥΡΓΙΑΣ	9
Χειροκίνητο άνοιγμα	9
Έλεγχος της λειτουργίας	9
Αντιμετώπιση τυχόν δυσλειτουργίας του κυλίνδρου ανύψωσης	9
ΤΕΧΝΙΚΑ ΧΑΡΑΚΤΗΡΙΣΤΙΚΑ	9
ΣΗΜΕΙΩΣΕΙΣ	10

ΓΕΝΙΚΗ ΠΑΡΟΥΣΙΑΣΗ

Εφόσον εγκατασταθεί σύμφωνα με τις παρούσες οδηγίες, αυτό το προϊόν παρέχει τη δυνατότητα τοποθέτησης σύμφωνα με τα πρότυπα EN 12453 και EN 13241-1.

Οι οδηγίες που αναφέρονται στο φύλλο οδηγιών εγκατάστασης και χρήσης αποσκοπούν στην τήρηση των απαιτήσεων ασφαλείας της περιουσίας, των ατόμων και των παραπάνω προτύπων.

Σε περίπτωση μη τήρησης αυτών των οδηγιών, η Somfy δεν φέρει καμία ευθύνη για ζημιές που τυχόν προκληθούν.

Εμείς, η Somfy, δηλώνουμε ότι αυτό το προϊόν πληρεί τις βασικές απαιτήσεις και άλλες σχετικές διατάξεις της οδηγίας 1999/5/ΕΚ. Διατίθεται δήλωση συμμόρφωσης στον ιστότοπο www.somfy.com/ce. Μοτέρ Ixengo_S.

Προϊόν το οποίο μπορεί να χρησιμοποιηθεί στην Ευρωπαϊκή Ένωση και την Ελβετία.

ΟΔΗΓΙΕΣ ΑΣΦΑΛΕΙΑΣ

Προειδοποίηση

Προσοχή: Η μη τήρηση των οδηγιών, για σωστή εγκατάσταση, μπορεί να επιφέρει σοβαρά προβλήματα και τραυματισμούς.

Οδηγίες ασφαλείας

Πριν εγκαταστήσετε το μοτέρ, βεβαιωθείτε ότι το κινούμενο τμήμα είναι σε καλή μηχανική κατάσταση, ότι το μοτέρ είναι ζυγοσταθμισμένο και ανοίγει και κλείνει σωστά.

Φροντίστε να αποφεύγετε τις επικίνδυνες ζώνες (σύνθλιψη, κόψιμο, μάγκωμα) μεταξύ του κινούμενου τμήματος και των τριγύρω σταθερών σημείων λόγω της κίνησης ανοίγματος του κινούμενου τμήματος.

Αφήνετε ελεύθερη ζώνη 500 mm πίσω από κάθε φύλλο όταν είναι τελείως ανοικτή η πόρτα.

Κάθε διακόπτης χωρίς ασφάλιση (τηλέφωνο ενδοεπικοινωνίας, διακόπτης με κλειδί κλπ) πρέπει να βρίσκεται κοντά στο κινούμενο τμήμα αλλά μακριά από τα σταθερά σημεία.

Πρέπει να τοποθετείται σε ύψος 1,5 m και να μην είναι προσβάσιμος στο κοινό, εκτός αν λειτουργεί με κλειδί.

Βεβαιωθείτε ότι το μοτέρ δεν μπορεί να χρησιμοποιηθεί με πρόσθετο στοιχείο που να περιλαμβάνει πορτάκι (εκτός αν το μοτέρ δεν μπορεί να χρησιμοποιηθεί με το πορτάκι ανοικτό).

Μετά την εγκατάσταση, βεβαιωθείτε ότι ο μηχανισμός είναι σωστά ρυθμισμένος και ότι το σύστημα προστασίας και κάθε σύστημα χειροκίνητης αποσύμπλεξης λειτουργεί σωστά.

Στερεώστε μόνιμα την ετικέτα για το σύστημα χειροκίνητης αποσύμπλεξης κοντά στο όργανο χειρισμού του.

Φοράτε γυαλιά κατά τις εργασίες διάτρησης.

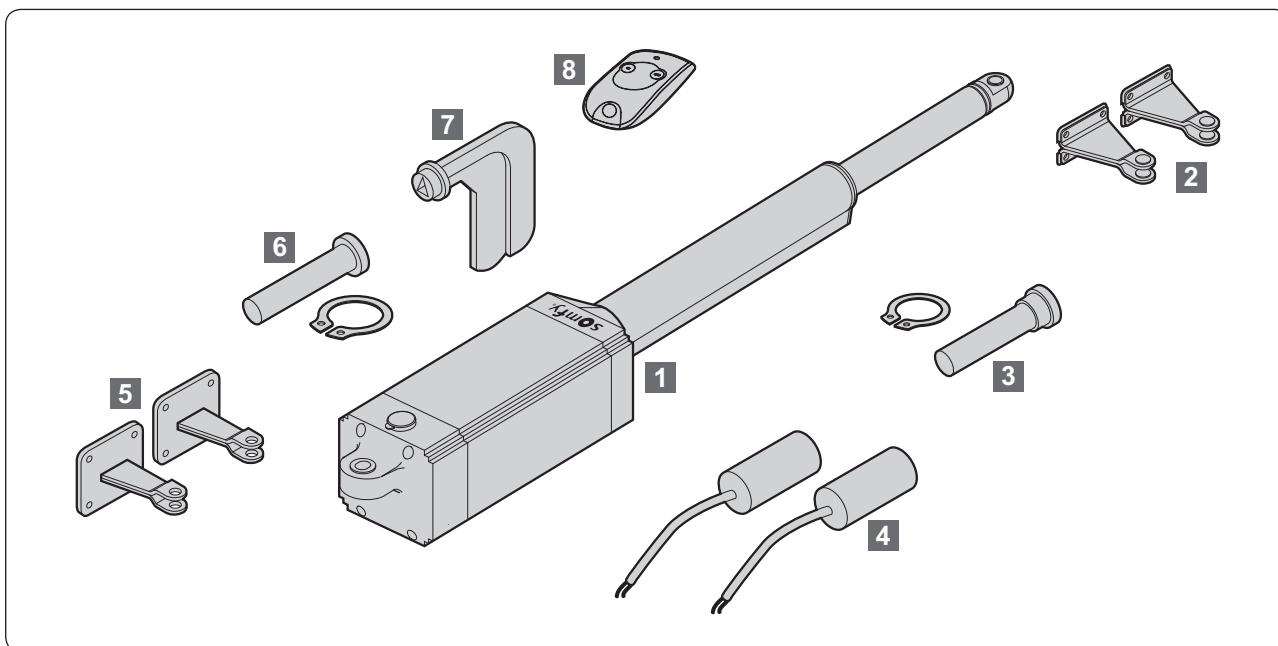
Για να λειτουργεί το Ixengo S πρέπει να τροφοδοτείται με 230 V - 50 Hz. Η ηλεκτρική γραμμή πρέπει:

- να προορίζεται αποκλειστικά για το Ixengo S,
- να έχει ελάχιστη διατομή 1,5 mm²,
- να διαθέτει προστασία (ασφάλεια ή διακόπτη 10 A) και διαφορικό σύστημα (30 mA),
- να διαθέτει μέσο αποσύνδεσης παντός πόλου,
- να είναι εγκαταστημένη σύμφωνα με τα ισχύοντα πρότυπα ηλεκτρικής ασφάλειας.

Συνιστάται να εξοπλίζετε την εγκατάσταση με αλεξικέραυνο (σύμφωνα με το πρότυπο NF C 61740, μέγιστη παραμένουσα τάση 2 kV).

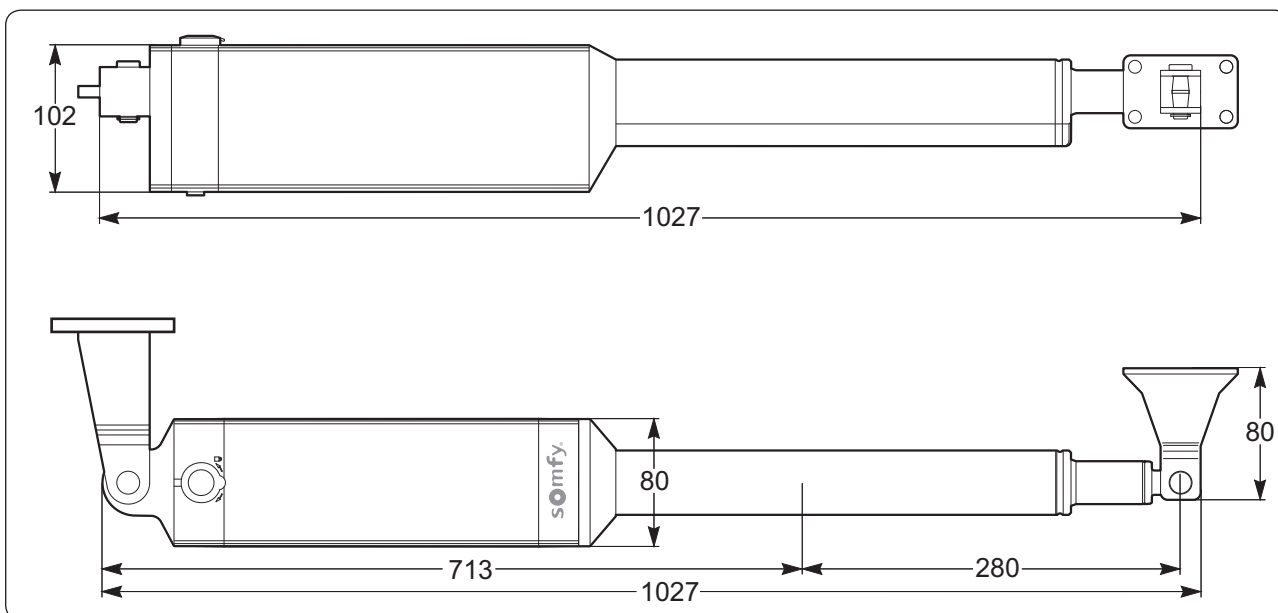
ΠΕΡΙΓΡΑΦΗ ΤΟΥ ΠΡΟΪΟΝΤΟΣ

Σύνθεση

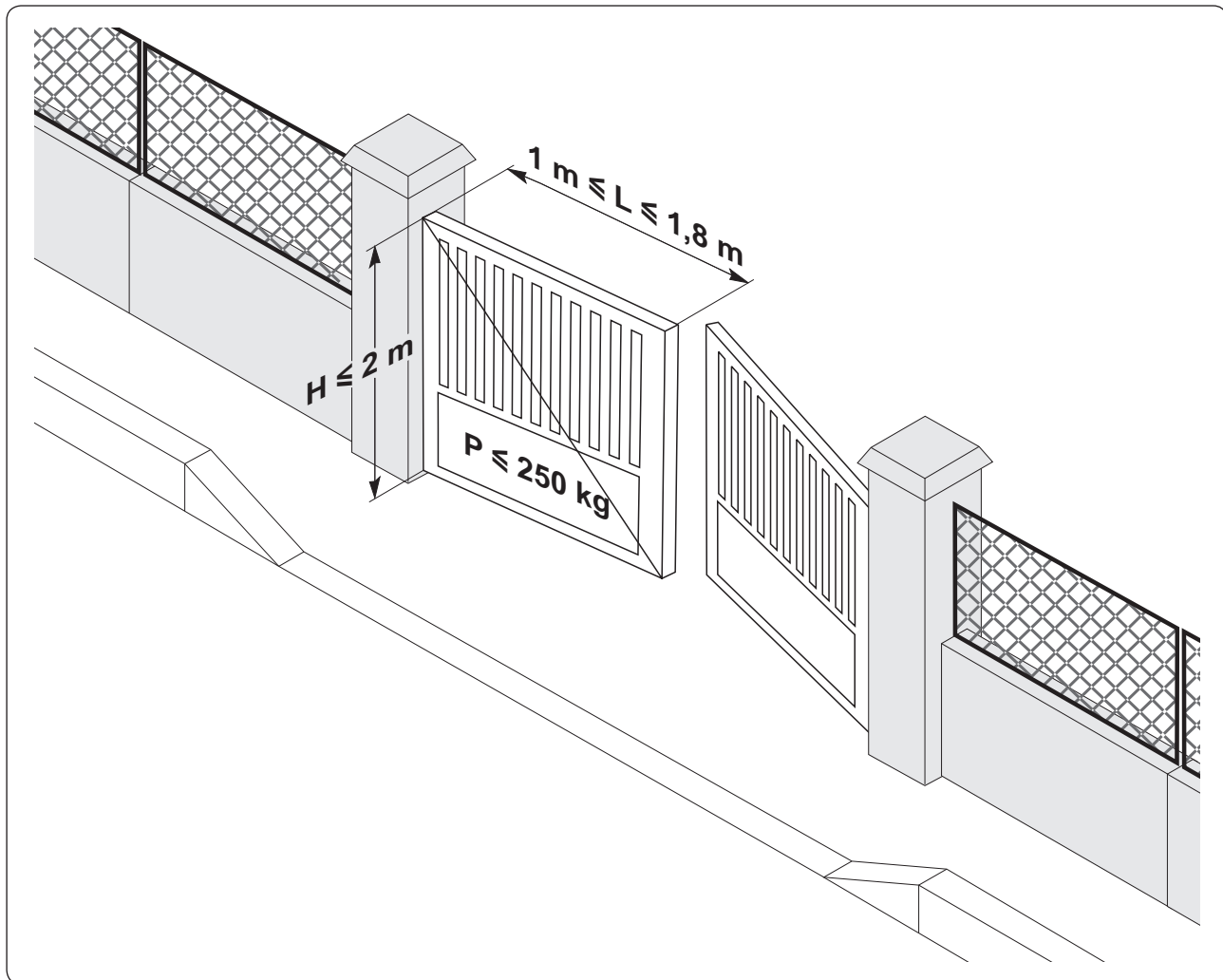


Σημ.	Αριθμός	Ονομασία
1	2	Μοτέρ Ιxengo S
2	2	Πέλμα στήριξης πόρτας
3	2	Πύρος ασφαλείας μοτέρ/πέλμα στήριξης πόρτας + συνδετήρες
4	2	Πυκνωτής (μόνο Ιxengo S 230 V)
5	2	Πέλμα στήριξης κολόνας
6	2	Πύρος ασφαλείας μοτέρ/πέλμα στήριξης κολόνας
7	1	Κλειδί απασφάλισης
8	2	KEYTIS 2 NS RTS

Διαστάσεις



Τομέας εφαρμογής



ΣΗΜΕΙΑ ΓΙΑ ΕΛΕΓΧΟ ΠΡΙΝ ΤΗΝ ΕΓΚΑΤΑΣΤΑΣΗ

Προκαταρκτικοί έλεγχοι

Η κατασκευή της πόρτας είναι αρκετά γερή. Σε κάθε περίπτωση, ο μηχανισμός πρέπει να ωθεί το φύλλο της πόρτας προς το ενισχυμένο σημείο.

Η πόρτα πρέπει να λειτουργεί χειροκίνητα χωρίς "ζόρισμα". Ελέγξτε αν είναι σε καλή μηχανική κατάσταση και αν είναι τέλεια εξισορροπημένη.

Τα στοπ εδάφους των φύλλων πόρτας τοποθετούνται τόσο για το άνοιγμα όσο και για το κλείσιμο. Η Somfy συνιστά την εγκατάσταση στοπ ανοίγματος, για να βελτιωθεί η διατήρηση της πόρτας στη θέση ανοικτή.

Σε περίπτωση που υπάρχει ήδη πόρτα, ελέγξτε την κατάσταση φθοράς των στοιχείων της. Αν χρειαστεί, επιδιορθώστε ή αλλάξτε τα ελαττωματικά ή φθαρμένα εξαρτήματα.

Αν η πόρτα δεν περιλαμβάνει ενισχύσεις, χρησιμοποιείτε εσωτερικές πλάκες από μέταλλο για τη στερέωση των στηριγμάτων.

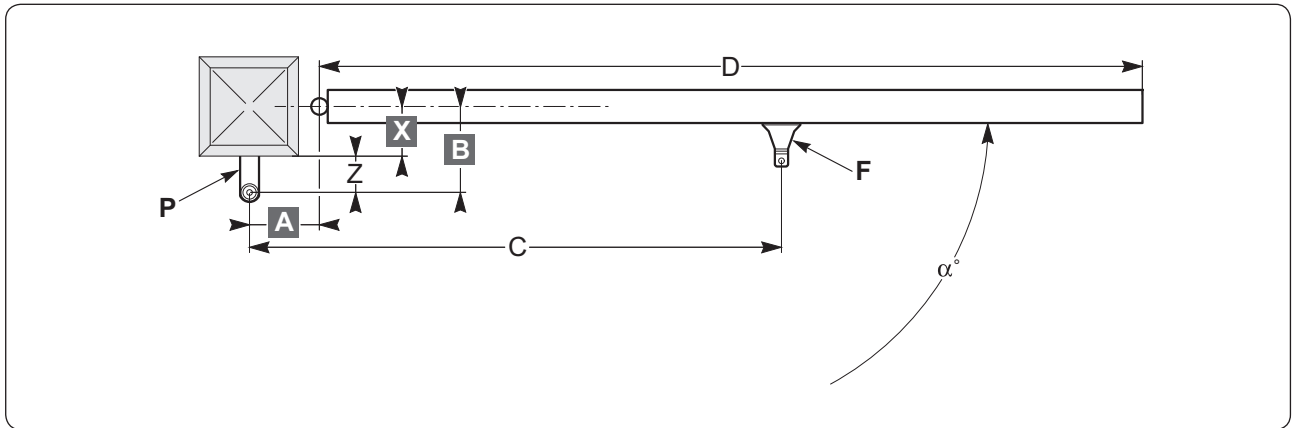
Οδηγίες ασφαλείας

Οι οδηγίες ασφαλείας πρέπει να τηρούνται καθ' όλη τη διάρκεια της εγκατάστασης:

- Αφαιρέστε τα κοσμήματά σας (μπρασελέ, αλυσίδα ή άλλα) κατά τη διάρκεια της εγκατάστασης
- Για τις διαδικασίες διάτρησης και συγκόλλησης, φοράτε ειδικά γυαλιά και κατάλληλους προστατευτικούς εξοπλισμούς
- Χρησιμοποιείτε κατάλληλα εργαλεία
- Μην συνδεθείτε με το ρεύμα ή την εφεδρική μπαταρία πριν ολοκληρώσετε τη διαδικασία συναρμολόγησης.

ΕΓΚΑΤΑΣΤΑΣΗ

Η παρακάτω εικόνα απεικονίζει τις τιμές που πρέπει να τηρούνται για την εγκατάσταση.



Λεζάντα:

A-B: τιμές για τον προσδιορισμό του σημείου στερέωσης του πέλματος **P**

C: τιμή αξονικής απόστασης στερέωσης (συνιστώμενη τιμή: 993 mm)

X: απόσταση του άξονα από την πόρτα στην άκρη της κολόνας

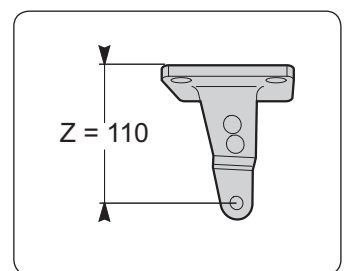
Z: απόσταση από την άκρη της κολόνας έως τον άξονα περιστροφής του μοτέρ

α° : γωνία ανοίγματος πόρτας

P: πέλμα στήριξης στην κολόνα

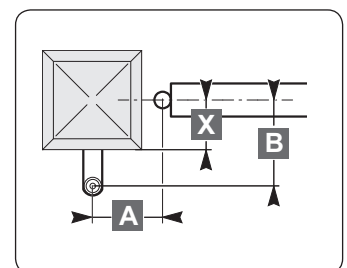
D: μήκος του φύλλου πόρτας

F: πέλμα στήριξης στο φύλλο πόρτας.



Τοποθέτηση του πέλματος στήριξης της κολόνας

- Προσδιορίστε την επιθυμητή γωνία ανοίγματος " α° ".
- Μετρήστε την τιμή **X** στην πόρτα.
- Υπολογίστε το $B = Z + X$ έχοντας υπόψη ότι $Z = 110$ mm.



- Από τον πίνακα, επιλέξτε τις τιμές **A** και **B** αρκετά κοντά ούτως ώστε να τηρείται η ταχύτητα ανοίγματος και να διασφαλίζεται η σωστή μηχανική λειτουργία του μοτέρ. Όταν υπάρχει μεγάλη διαφορά μεταξύ τους, η κίνηση του φύλλου δεν είναι σταθερή και η δύναμη έλξης ή ώθησης ποικίλει κατά την κίνηση.

Ο πίνακας δείχνει τη βέλτιστη τιμή του **A** και του **B** για άνοιγμα $\alpha^\circ = 90^\circ$ με σταθερή ταχύτητα.

B \ A	100	110	120	130	140	150	160	170	180
100				119	109	103	98	94	91
110				112	105	98	94	91	
120			117	105	99	94	91		
130			107	99	94	90			
140		112	100	94	90				
150		102	94	90					
160	104	94	89						
170	95	89							
180	88								α°

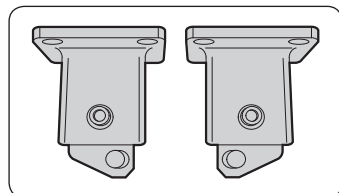
Είναι δυνατόν να επιλέξετε από τον πίνακα τις τιμές "**A**" και "**B**" ανάλογα με τον επιθυμητό βαθμό ανοίγματος " α° ".

Αν η τιμή **B** είναι πολύ μεγάλη:

• Χρησιμοποιήστε τα ρυθμιζόμενα πέλματα στήριξης (9014609 ή 9014610) που επιτρέπουν τις παρακάτω 4 ή 8 τιμές Z (σε περίπτωση που χρειαστεί να αυξήσετε ή να μειώσετε την τιμή Z).

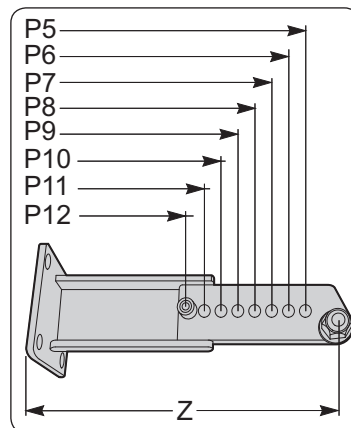
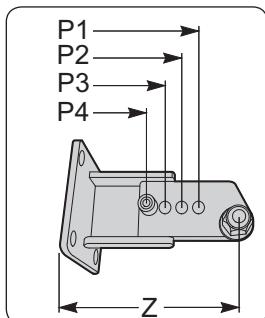
P1: Z = 77 mm	P5: Z = 150 mm	P9: Z = 215 mm	P11: Z = 235 mm
P2: Z = 90 mm	P6: Z = 165 mm	P10: Z = 225 mm	P12: Z = 250 mm
P3: Z = 110 mm	P7: Z = 190 mm		
P4: Z = 150 mm	P8: Z = 200 mm		

Φορά στερέωσης του ρυθμιζόμενου πέλματος



Αριστερό

Δεξιό

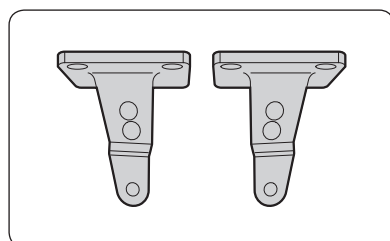


- ή μετατοπίστε το μεντεσέ της πόρτας ούτως ώστε να μειώσετε την απόσταση **B** (βλέπε "Ιδιαίτερες εγκαταστάσεις").
- Στερεώστε το πέλαμα στήριξης **P**.



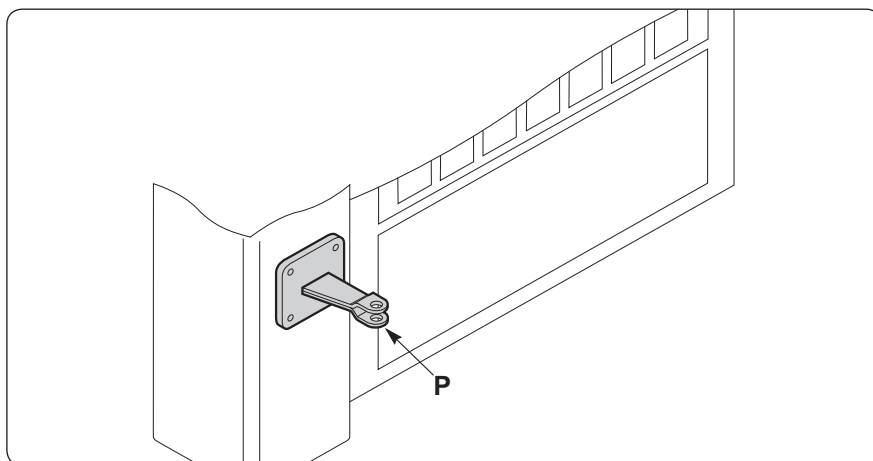
Τρυπήστε και βιδώστε το πέλαμα στην κολόνα.
Χρησιμοποιήστε συστήματα στερέωσης ανάλογα με τη βάση.

Φορά στερέωσης



Αριστερό

Δεξιό



Σημείωση: χρησιμοποιήστε τους πύρους ασφαλείας με τις μεγάλες δακτυλιωτές ασφάλειες για να στερεώσετε το πέλαμα **P**.

Παράδειγμα

Για επιθυμητή γωνία ανοίγματος 90°:

Μετρήστε την τιμή **X** = 30 mm.

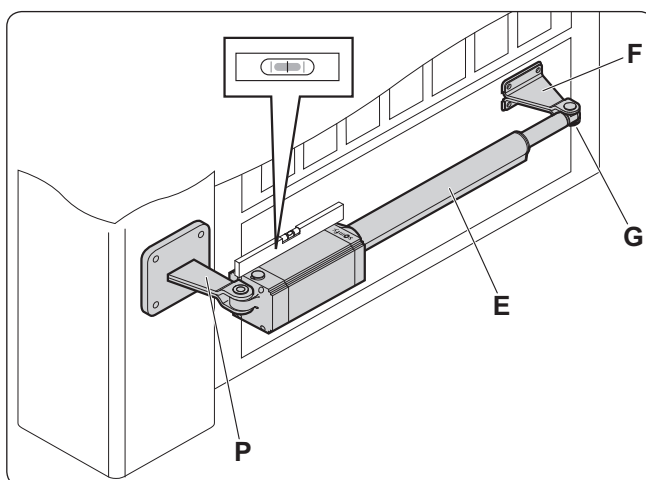
Υπολογίστε την τιμή **B** = **X** + **Z** = 30 + 110 = 140 mm.

Μεταθέστε την τιμή **B** = 140 του πίνακα και χρησιμοποιήστε τιμή **A** = 140 για άνοιγμα 90°.

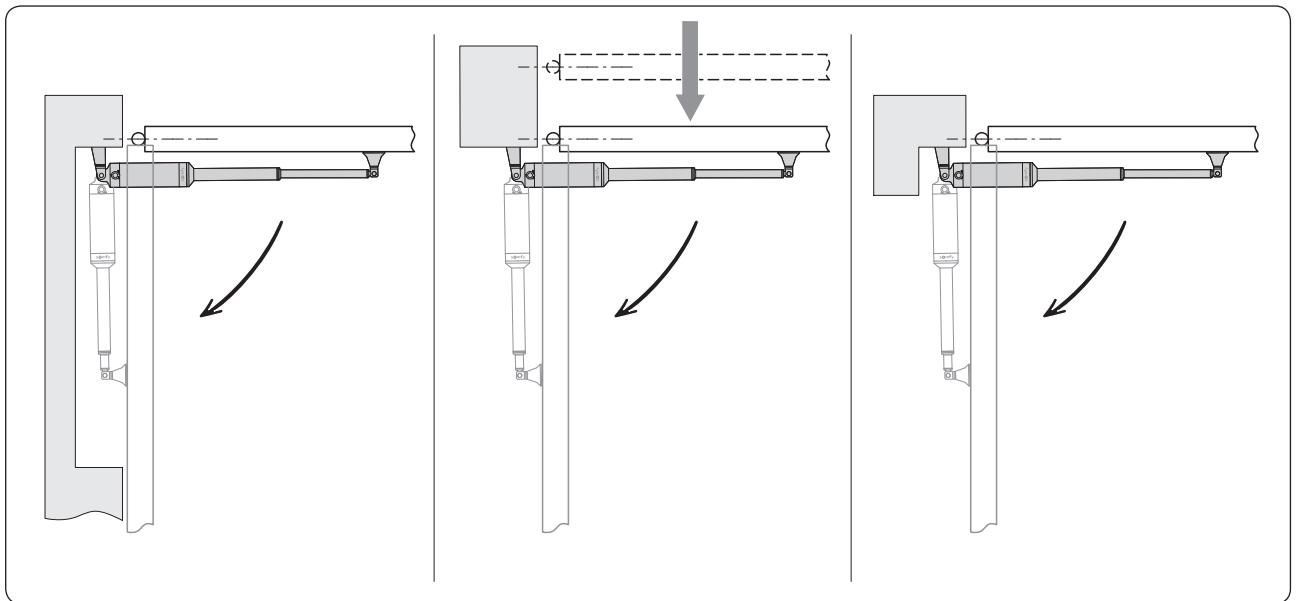
Τοποθέτηση του πέλματος στήριξης φύλλου πόρτας

Σημαντικό: στο φύλλο πόρτας, μετρήστε την τιμή **C** (993 mm), αξονική απόσταση στερέωσης μεταξύ των δύο πελμάτων. Σημαδέψτε τον άξονα στερέωσης του πέλματος του φύλλου πόρτας.

- [1] Απασφαλίστε το κινητήρα **E**. Βγάλτε το έμβολο μέχρι το τέρμα της διαδρομής του.
- [2] Τοποθετήστε προσωρινά τον κύλινδρο ανύψωσης στη βάση του **P**.
- [3] Τοποθετήστε το πέλαμα στήριξης φύλλου πόρτας **F** στο έμβολο **E** ασφαλίζοντας το με το πύρο ασφαλείας **G**.
- [4] Ελέγξτε με αλφάδι αν οι κινητήρες είναι οριζόντια τοποθετημένοι **E**.
- [5] Στερεώστε το πέλαμα στήριξης φύλλου πόρτας **F**.



Ιδιαίτερες εγκαταστάσεις

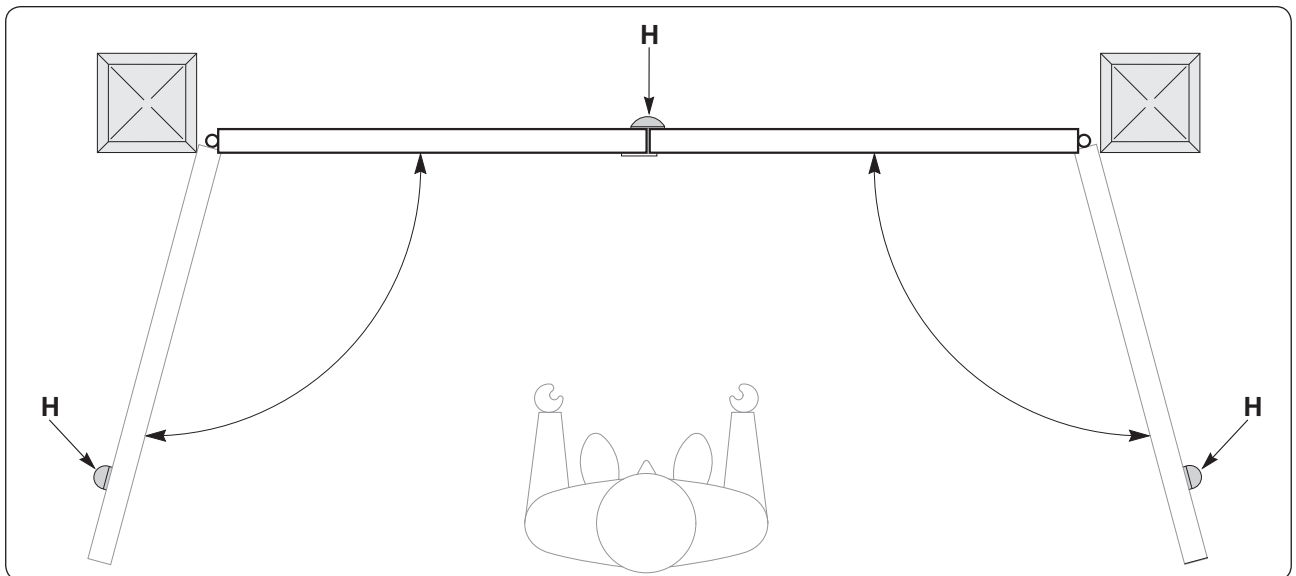


Εγκατάσταση με κοιλότητα
σε φράχτη

Μετατόπιση του μεντεσέ
της πόρτας

Εγκατάσταση με κοιλότητα
σε κολόνα

Στοπ εδάφους των φύλλων πόρτας

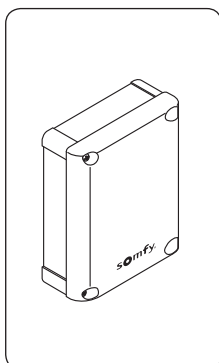


Ελέγξτε αν υπάρχουν τα στοπ H εδάφους των φύλλων πόρτας.

Για τη λειτουργία του κινητήρα, είναι υποχρεωτικό να χρησιμοποιήσετε τα στοπ εδάφους τόσο για το άνοιγμα όσο και για το κλείσιμο.

Ηλεκτρικές συνδέσεις

Κάνετε τις συνδέσεις των κινητήρων στον ηλεκτρονικό πίνακα ελέγχου FX 24 για το Ixengo S 24 V και FX 230 για το Ixengo S 230 V.



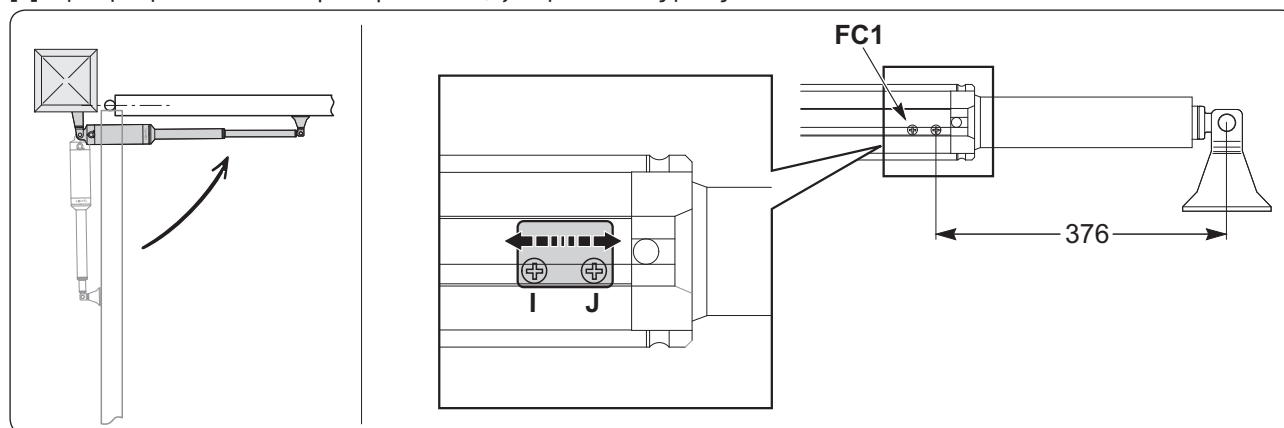
ΡΥΘΜΙΣΗ ΤΩΝ ΤΕΡΜΑΤΙΚΩΝ ΣΤΟΠ ΔΙΑΔΡΟΜΗΣ - IXENGO S 24 V

Η ρύθμιση των τερματικών στοπ διαδρομής γίνεται τοποθετώντας σωστά τους μαγνήτες τερμάτων διαδρομής του κινητήρα 24 V.

Σημαντικό: για τους κινητήρες 230 V, ανατρέξτε στις οδηγίες χρήσεως του ηλεκτρονικού πίνακα ελέγχου FX 230, ρυθμίζοντας το χρόνο λειτουργίας του κινητήρα.

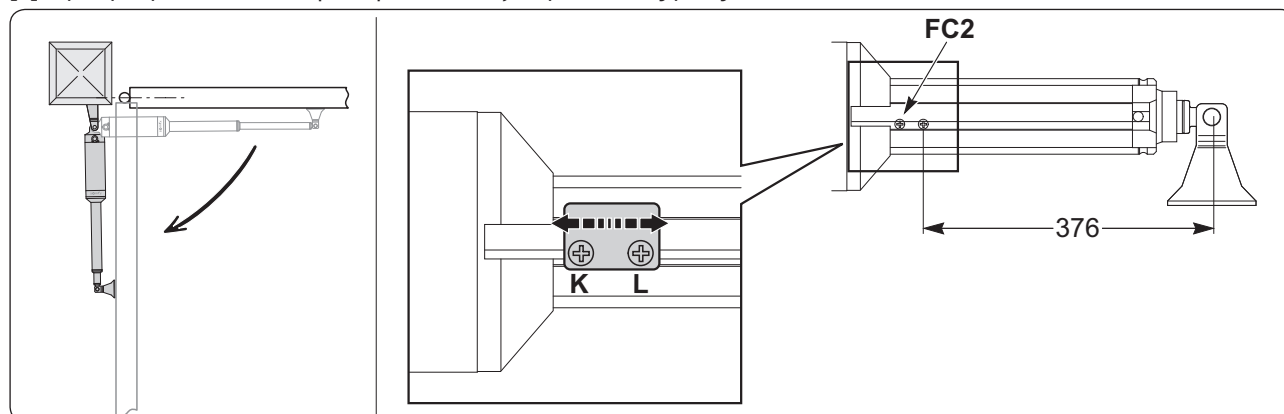
Ρύθμιση του τέρματος διαδρομής κλεισίματος FC1

- [1] Κλείστε το φύλλο πόρτας.
- [2] Ξεσφίξτε τις βίδες I και J του τέρματος διαδρομής κλεισίματος.
- [3] Μετατοπίστε το στοπ ούτως ώστε η απόσταση μεταξύ της βίδας J και του άξονα του πέλματος φύλλου πόρτας να είναι περίπου 376 mm.
- [4] Κάνετε ένα χειρισμό κλεισίματος.
- [5] Αν το φύλλο πόρτας σταματήσει πολύ γρήγορα σε σχέση με το κλείσιμο που θέλετε, μετατοπίστε λίγο το στοπ προς την μεριά του εμβόλου.
- [6] Αν το φύλλο πόρτας χτυπήσει στο στοπ εδάφους κλεισίματος και ο κινητήρας αντιστρέψει την κίνηση, μετατοπίστε λίγο το στοπ προς το σώμα του κινητήρα.
- [7] Αφού ρυθμίσετε σωστά τη θέση του στοπ, ξαναβιδώστε τις βίδες I και J.



Ρύθμιση του τέρματος διαδρομής ανοίγματος FC2

- [1] Ανοίξτε την πόρτα.
- [2] Ξεσφίξτε τις βίδες K και L του τέρματος διαδρομής ανοίγματος.
- [3] Μετατοπίστε το στοπ ούτως ώστε η απόσταση μεταξύ της βίδας L και του άξονα του πέλματος φύλλου πόρτας να είναι περίπου 376 mm.
- [4] Ανοίξτε την πόρτα.
- [5] Αν το φύλλο πόρτας σταματήσει πολύ γρήγορα, μετατοπίστε λίγο το στοπ προς το σώμα του κυλίνδρου ανύψωσης.
- [6] Αν το φύλλο πόρτας χτυπήσει στο στοπ εδάφους ανοίγματος και ο κινητήρας αντιστρέψει την κίνηση, μετατοπίστε λίγο το στοπ προς την μεριά του εμβόλου.
- [7] Αφού ρυθμίσετε σωστά τη θέση του στοπ, ξαναβιδώστε τις βίδες K και L.



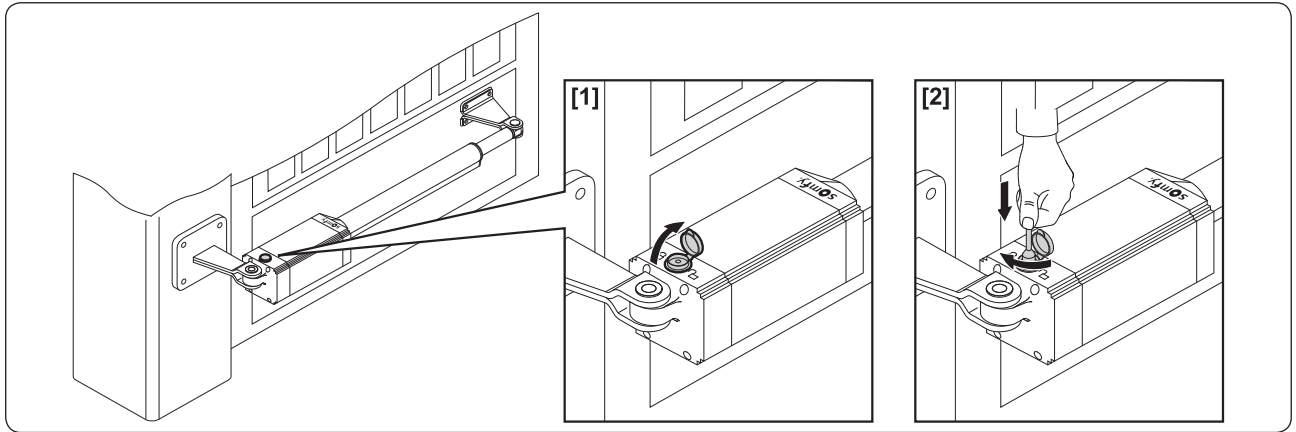
Σημείωση: κατά τον προγραμματισμό του ηλεκτρονικού χειριστηρίου, είναι απαραίτητο να προλαβαίνετε λίγο την επέμβαση των στοπ τέρματος διαδρομής. Για να υπάρχει τέλειο στήριγμα στα στοπ εδάφους, ο γρύλος ανύψωσης συνεχίζει την κίνησή του για 1 ή 2 cm (περίπου 100 χιλ. δευτ.).

ΔΟΚΙΜΗ ΛΕΙΤΟΥΡΓΙΑΣ

Χειροκίνητο άνοιγμα

Σε περίπτωση ανάγκης, ο κινητήρας διαθέτει κλειδί απασφάλισης για το χειροκίνητο χειρισμό του φύλλου πόρτας.

- [1] Αφού ανασηκώσετε το καπάκι της κλειδαριάς, περάστε το κλειδί απασφάλισης και γυρίστε το κατά 90° προς τα δεξιά.
- [2] Σπρώξτε χειροκίνητα το φύλλο πόρτας για να ανοίξετε την πόρτα.
- [3] Γυρίστε το κλειδί από την αντίθετη μεριά για να αποκαταστήσετε το άνοιγμα και κλείσιμο με το μοτέρ.
- [4] Ξανατοποθετήστε το καπάκι στη θέση του.



Έλεγχος της λειτουργίας

Πριν βάλετε σε λειτουργία τον κινητήρα:

- βεβαιωθείτε ότι όλα τα στοιχεία είναι γερά στερεωμένα
- ελέγξτε τη σωστή λειτουργία όλων των συστημάτων ασφαλείας
- ελέγξτε το κουμπί χειρισμού έκτακτης ανάγκης
- ελέγξτε τη σωστή λειτουργία του ηλεκτρονικού πίνακα ελέγχου.

Αντιμετώπιση τυχόν δυσλειτουργίας του κινητήρα

- Ελέγξτε με ειδικό εργαλείο την παρουσία ηλεκτρικής τάσης στις άκρες του κινητήρα που συνδέονται στον ηλεκτρονικό πίνακα ελέγχου αφού κάνετε ένα χειρισμό ανοίγματος και κλεισίματος.
- Αν ο κινητήρας δεν κινηθεί με τη σωστή φορά, αντιστρέψτε τις συνδέσεις καλωδίωσης του κινητήρα στον ηλεκτρονικό πίνακα ελέγχου.
- Αν η πόρτα ξαναρχίσει να ανοιγοκλείνει με την αντίστροφη φορά μετά από ένα άνοιγμα και ένα κλείσιμο, σημαίνει ότι τα στοπ τέρματος διαδρομής δεν είναι σωστά ρυθμισμένα. Ανατρέξτε στην παράγραφο "Ρύθμιση των στοπ τέρματος διαδρομής" για να ρυθμίσετε με περισσότερη ακρίβεια τη θέση των στοπ.

ΤΕΧΝΙΚΑ ΧΑΡΑΚΤΗΡΙΣΤΙΚΑ

	Μοντέλο 24 V	Μοντέλο 230 V
Τροφοδοσία	24 V DC	230 V AC
Ταχύτητα περιστροφής	3800 σ.α.λ.	2800 σ.α.λ.
Κατανάλωση ρεύματος	40 W	210 W
Ένταση ρεύματος	1.5 A	0.8 A
Δύναμη ώθησης και έλξης	2000 N	2000 N
Χρήσιμη διαδρομή	280 mm	280 mm
Ταχύτητα κινητήρα	14 mm/δευτ.	12 mm/δευτ.
Ανίχνευση εμποδίου (αντίδραση στο χτύπημα)	Ενσωματωμένος αισθητήρας ροπής	Ηλεκτρονικός συμπλέκτης στον πίνακα ελέγχου
Στοπ τέρματος διαδρομής	Μαγνητικές επαφές ενσωματωμένες και ρυθμιζόμενες	-
Χειροκίνητος χειρισμός	με κλειδί απασφάλισης	με κλειδί απασφάλισης
Αριθ. χειρισμών σε 24 ώρες	60 χειρισμοί	60 χειρισμοί
Μέγιστο μήκος φύλλου πόρτας	1.800 mm	1.800 mm
Μέγιστο βάρος φύλλου πόρτας	250 kg	250 kg
Συνθήκες περιβάλλοντος	-20 °C έως +60 °C	-20 °C έως +60 °C
Βαθμός προστασίας	IP44	IP44
Λίπανση	μόνιμο γράσο	μόνιμο γράσο
Πυκνωτής	-	6.3 μF

Lists of subsidiaries/Lista de filiales/Lista das filiai/Κατάλογων θυγατρικών

Argentina : Somfy Argentina
(55 11) 4737-3700

Iran : Somfy Iran
0098-217-7951036

Singapore : Somfy PTE LTD
(65) 638 33 855

Australia : Somfy PTY LTD
(61) 2 9638 0744

Israel: Sisa Home Automation Ltd
(972) 3 952 55 54

Slovak republic : Somfy Spol s.r.o.
(421) 33 77 18 638

Austria : Somfy GesmbH
(43) 662 62 53 08 - 0

Italy : Somfy Italia s.r.l
(39) 024 84 71 81

South Korea : Somfy JOOO
(82) 2 594 4333

Belgium : Somfy Belux
(32) 2 712 07 70

Japan : Somfy KKAK
(81) 45 475 07 32
(81) 45 475 09 22

Spain : Somfy Espana SA
(34) 934 800 900

Brasil : Somfy Brasil STDA
(55 11) 6161 6613

Jordan : Somfy Jordan
(962) 6-5821615

Sweden : Somfy Nordic AB
(46) 40 16 59 00

Canada : Somfy ULC
(1) 905 564 6446

Kingdom of Saudi Arabia : Somfy
Saoudi

Switzerland : Somfy A.G.
(41) 44 838 40 30

China : Somfy China Co. Ltd
(8621) 6280 9660

Riyadh : (966) 1 47 23 020
Jeddah : (966) 2 69 83 353

Syria : Somfy Syria
(963) 9-55580700

Cyprus : Somfy Middle East
(357) 25 34 55 40

Kuwait : Somfy Kuwait
00965 4348906

Taiwan : Somfy Taiwan
(886) 2 8509 8934

Czech Republic : Somfy Spol s.r.o.
(420) 296 372 486-7

Lebanon :
(961) 1 391 224

Thailand : Bangkok
(66) 2714 3170

Denmark : Somfy Nordic Danmark
(45) 65 32 57 93

Malaisia : Somfy Malaisia
(60) 3 228 74743

Tunisia : Somfy Tunisia
(216) 98303603

Finland : Somfy Nordic AB Finland
(358) 9 57 130 230

Mexico : Somfy Mexico SA de CV
(52) 55 5576 3421

Turkey : Somfy Turkey
(90) 216 651 30 15

France : Somfy France
(33) 820 374 374
(33) 810 055 055

Morocco : Somfy Maroc
(212) 22 44 35 00

United Arab Emirates : Somfy Gulf
(971) 4 88 32 808

Germany : Somfy GmbH
(49) 7472 930 0

Netherlands : Somfy BV
(31) 23 55 44 900

United Kingdom : Somfy LTD
(44) 113 391 3030

Greece : Somfy Hellas S.A.
(30) 210 614 67 68

Norway : Somfy Nordic Norge
(47) 41 57 66 39

United States :
(1) 609 395 1300

Hong Kong : Somfy Co. Ltd
(852) 25236339

Poland : Somfy SP Z.O.O
(48) 22 50 95 300

Hungary : Somfy Kft
(36) 1814 5120

Portugal : Somfy Portugal
(351) 229 396 840

India : Somfy India PVT Ltd
(91) 11 51 65 91 76

Romania: Somfy SRL
(40) 368 - 444 081

Indonesia: Somfy IndonesiaEra
(62) 21 719 3620

Russia : Somfy LLC
(7) 495 781 47 72

